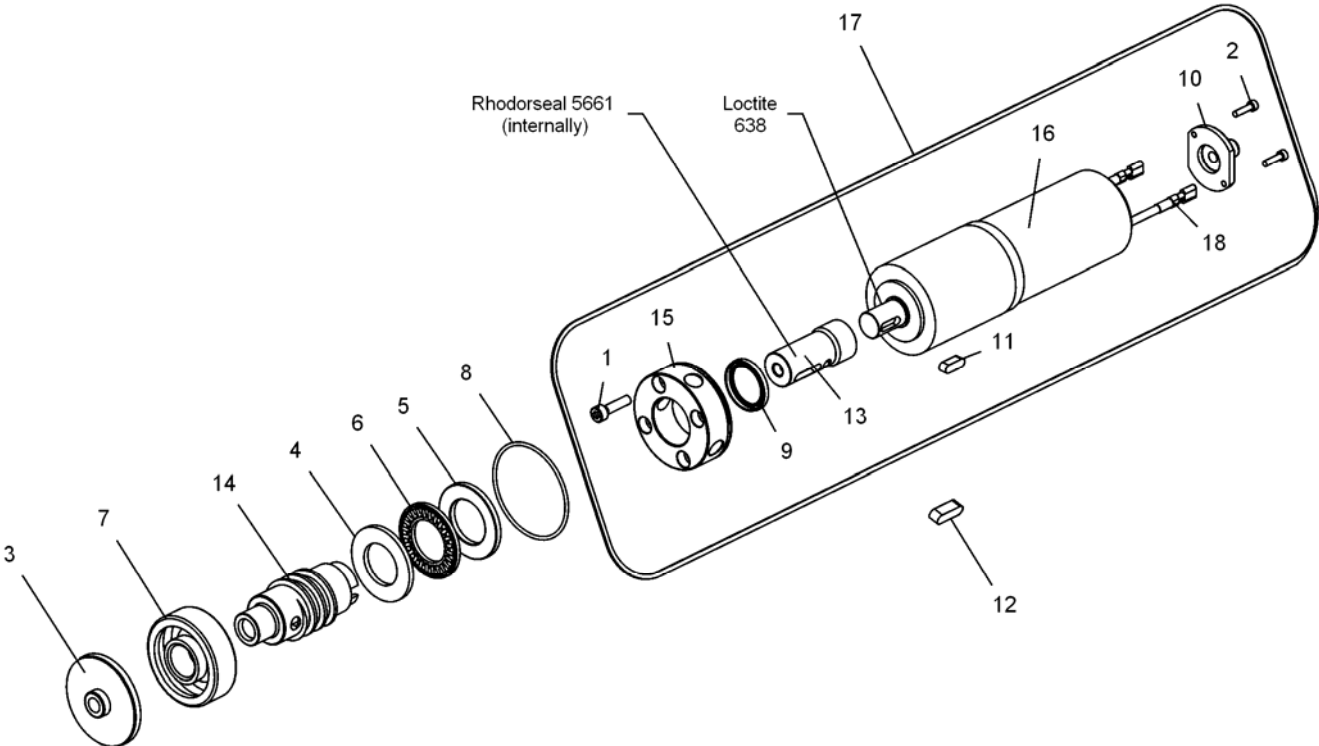


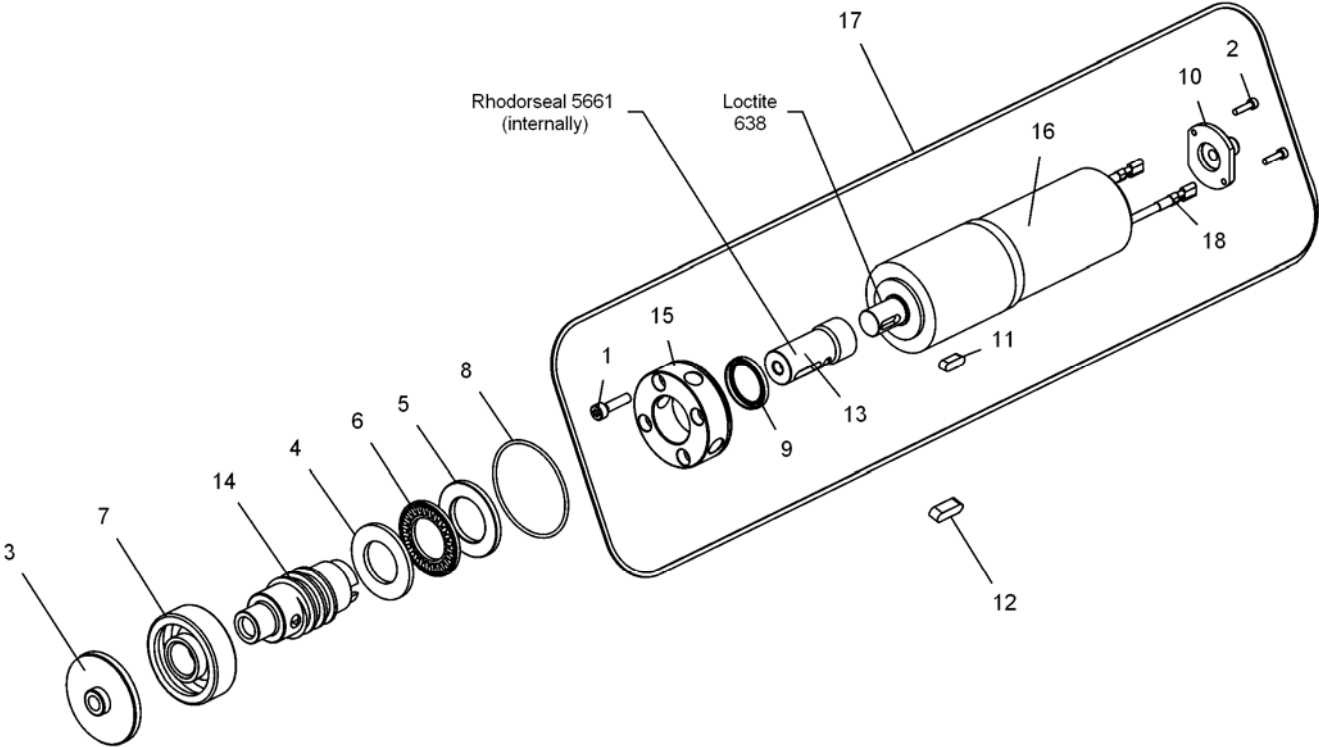
24 V DC Arm motor



24 V DC Arm motor

Pos.	Qty	Part number	Description
6-12HF-A1	4	121004016-12.9FZ	Allen screw DIN 912 M4 x 16 12.9Z
6-12HF-A2	2	1215016006	Screw posidrive MFX 4.8 1.6x6 H Z
6-12HF-A3	1	16290100	Washer, for bearing extraction
6-12HF-A4	1	200181104	Thrust Washer WS 81104
6-12HF-A5	1	200281104	Thrust Washer GS 81104
6-12HF-A6	1	20082035	Axial needle roller bearing AXK 2035
6-12HF-A7	1	20877302	Angular cont. ball bearing 7302 BEP
6-12HF-A8	1	23116042	O-ring 42 x 1.6 NBR 70
6-12HF-A9	1	23901802403	Radial seal 18 x 24 x 3
6-12HF-A10	1	26240300	Protection sleeve 24V DC-motor
6-12HF-A11	1	29110414	Key 4 x 4 x 14
6-12HF-A12	1	29110516	Key 5 x 5 x 16
6-12HF-A13	1	34430100	Adapter axle 24V DC-motor
6-12HF-A14	1	35500100	Worm screw
6-12HF-A15	1	58359000	Flange DC-Motor
6-12HF-A16	1	63104600	Arm feed motor 24V 46:1
6-12HF-A17	1	63104601	Arm feed motor 24V 46:1 cpl
6-12HF-A18	1	64017801	Cables soldered on Arm feed motor

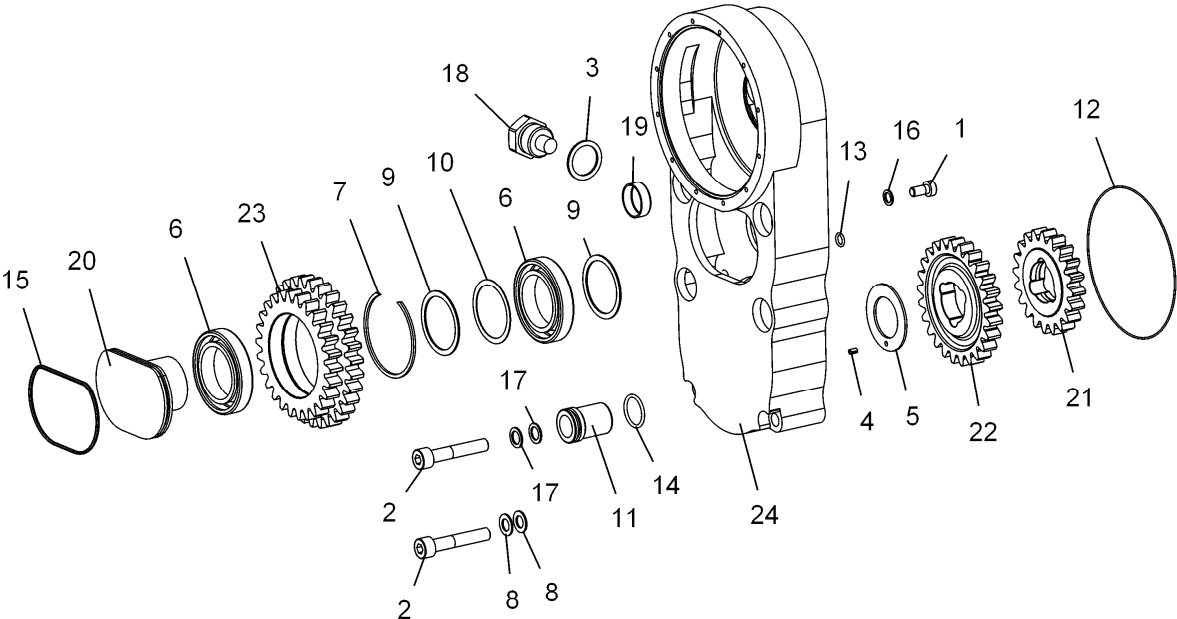
24 V DC Travel motor



24 V DC Travel motor

Pos.	Qty	Part number	Description
6-12HF-B1	4	121004016-12.9FZ	Allen screw DIN 912 M4 x 16 12.9Z
6-12HF-B2	2	1215016006	Screw posidrive MFX 4.8 1.6x6 H Z
6-12HF-B3	1	16290100	Washer, for bearing extraction
6-12HF-B4	1	200181104	Thrust Washer WS 81104
6-12HF-B5	1	200281104	Thrust Washer GS 81104
6-12HF-B6	1	20082035	Axial needle roller bearing AXK 2035
6-12HF-B7	1	20877302	Angular cont. ball bearing 7302 BEP
6-12HF-B8	1	23116042	O-ring 42 x 1.6 NBR 70
6-12HF-B9	1	23901802403	Radial seal 18 x 24 x 3
6-12HF-B10	1	26240300	Protection sleeve 24V DC-motor
6-12HF-B11	1	29110414	Key 4 x 4 x 14
6-12HF-B12	1	29110516	Key 5 x 5 x 16
6-12HF-B13	1	34430100	Adapter axle 24V DC-motor
6-12HF-B14	1	35500100	Worm screw
6-12HF-B15	1	58359000	Flange DC-Motor
6-12HF-B16	1	63101400	Travel feed motor 24V 14:1
6-12HF-B17	1	63101401	Travel feed motor 24V 14:1 cpl
6-12HF-B18	1	64017901	Cables soldered on Travel motor

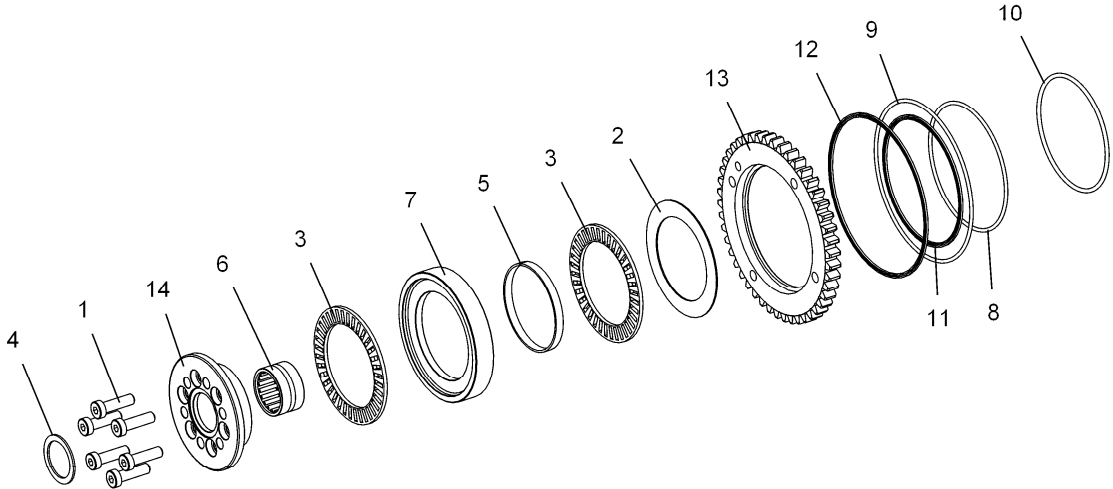
Arm 6-12HF



Arm 6-12HF

Pos.	Qty	Part number	Description
6-12HF-C1	4	121206012-8.8FZ	Allen Screw DIN7984 M6x12 8.8 Z
6-12HF-C2	4	121008045-12.9FZ	Allen screw DIN912 M8x45 12.9Z
6-12HF-C3	1	16352026	Alu-washer 20 x 26 x 1.5
6-12HF-C4	1	17403050	Split pin 3 x 5
6-12HF-C5	1	20192744	Thrust bearing 27 x 44 special
6-12HF-C6	2	207661907	Ball Bearing 61907-2RZ
6-12HF-C7	1	21300550	Circlip SB55
6-12HF-C8	4	22110810	Support Ring 8 x 14 x 1
6-12HF-C9	2	22113510	Support Ring 35 x 45 x 1.0
6-12HF-C10	1	22113505	Support Ring 35 x 45 x 0.5
6-12HF-C11	2	22150400	Spacer, Arm 6 - 10 / 6 - 12
6-12HF-C12	1	23110098	O-ring 98 x 1 Viton
6-12HF-C13	1	23115006	O-ring 6 x 1.5 NBR 70
6-12HF-C14	2	23120017	O-ring 17 x 2 NBR 70
6-12HF-C15	1	23120064	O-ring 64 x 2
6-12HF-C16	4	23206710	Dowty washer 6.7 x 10 x 1
6-12HF-C17	4	23208713	Dowty washer 8.7 x 13 x 1
6-12HF-C18	1	25032015	Magnetic plug M20 x 1.5
6-12HF-C19	2	25110300	Plug, Arm 6 - 10 / 6 - 12 22 mm
6-12HF-C20	1	34210400	Shaft intermediate gear 6 - 10
6-12HF-C21	1	35110200	Gear wheel primary 1:st 6-10/12
6-12HF-C22	1	35120200	Gear wheel Primary 2:nd 6 - 12
6-12HF-C23	1	35370600	Intermediate gear complete
6-12HF-C24	1	56010200	Arm 6 - 10/12

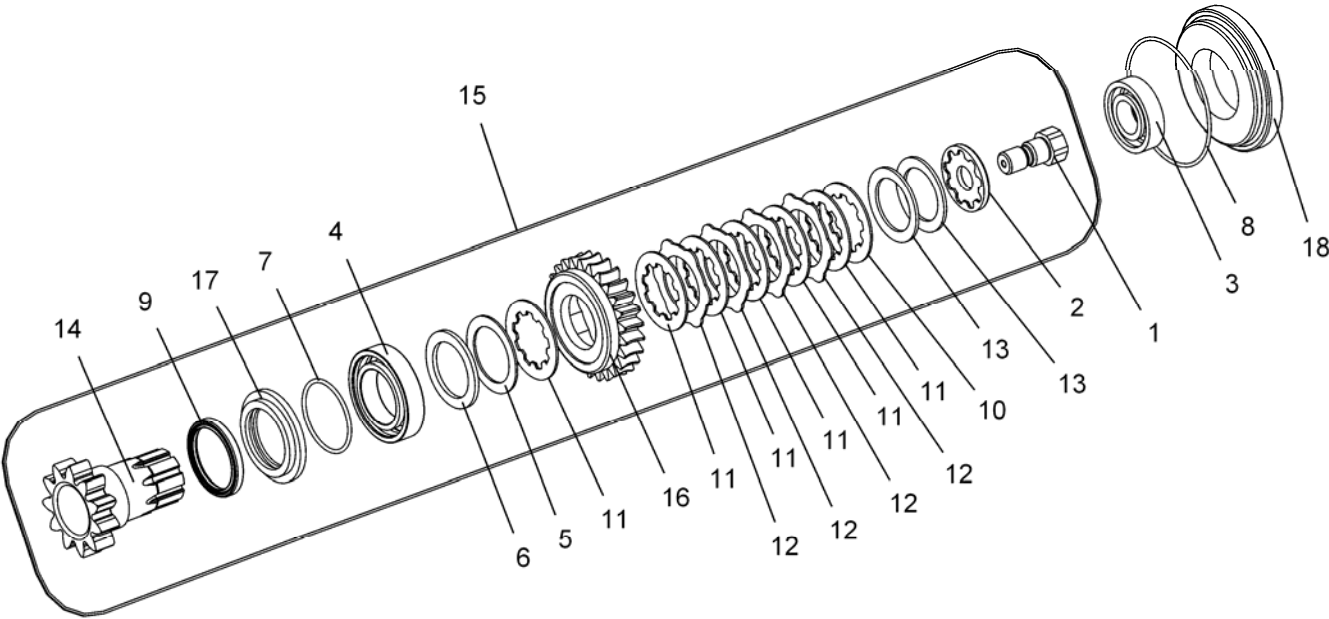
Arm bearing 6-12HF



Arm bearing 6-12HF

Pos.	Qty	Part number	Description
6-12HF-D1	6	121208028-10.9	Allen Screw M8x28 10.9
6-12HF-D2	1	20036590	Thrust Washer LS 6590
6-12HF-D3	2	20086590	Thrust needle bearing AXK 6590
6-12HF-D4	1	20192938	Thrust washer 29 x 38 x 1.5
6-12HF-D5	1	20210063204	Bearing strip 6.3 x 204 x 1.5
6-12HF-D6	1	2041NK28/20	Needle roller bearing NK 28 / 20
6-12HF-D7	1	22010300	Axial bearing ring arm 6-12
6-12HF-D8	1	23126095	O-ring 95 x 2.62 NBR 70
6-12HF-D9	1	23126120	O-ring 120.32 x 2.62 NBR 70
6-12HF-D10	1	23130085	O-ring 85 x 3 NBR 70
6-12HF-D11	1	24009510103	Seal ID = 95 mm
6-12HF-D12	1	24012012603	Seal ID = 120 mm
6-12HF-D13	1	35360200	Gear ring 6 - 10 / 6 - 12
6-12HF-D14	1	57170200	Axial bearing housing arm 6-12

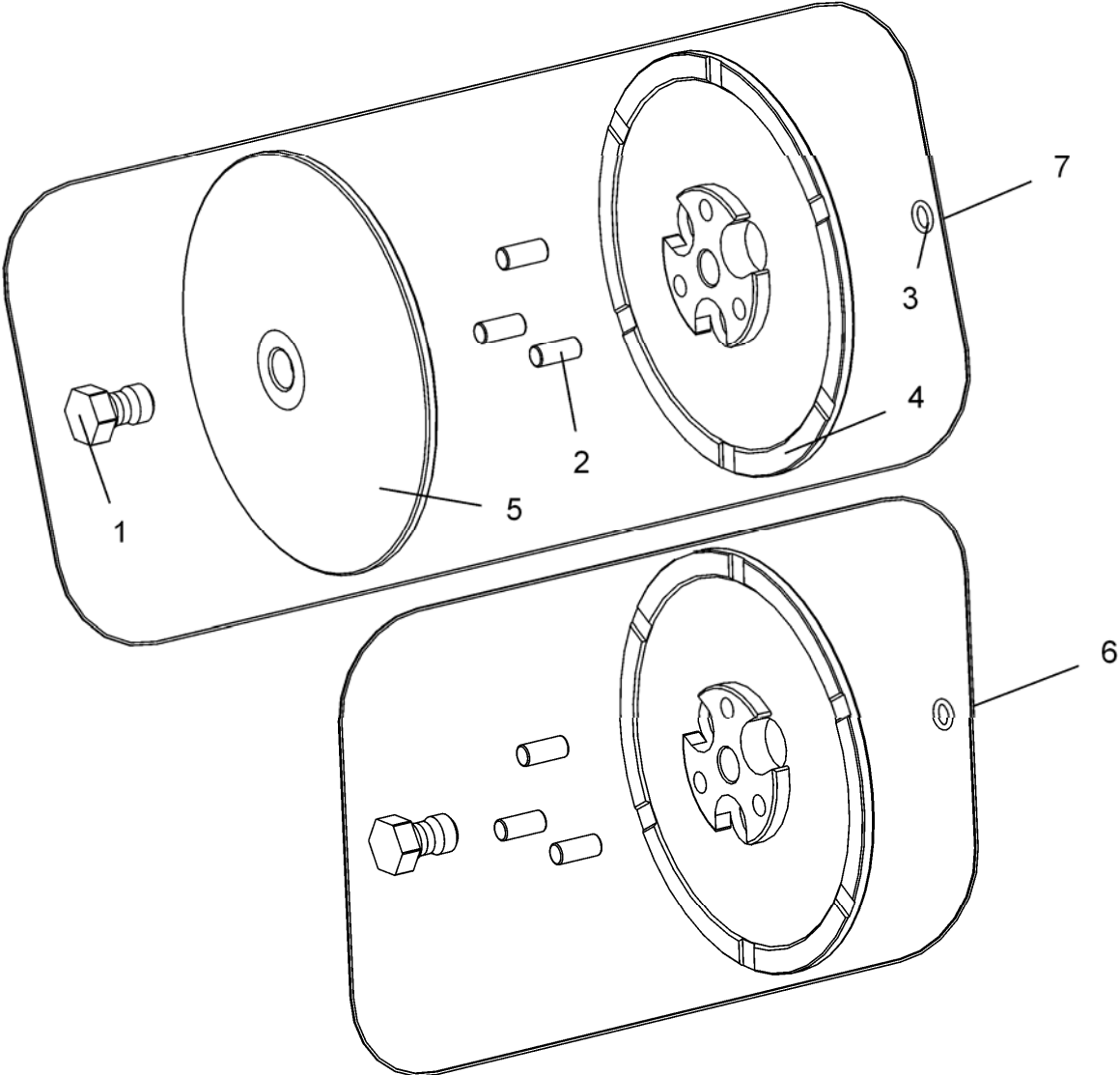
Arm slip clutch 6-12HF



Arm slip clutch 6-12HF

Pos.	Qty	Part number	Description
6-12HF-E1	1	14100300	Screw Slip-Clutch
6-12HF-E2	1	16030200	Washer slip clutch
6-12HF-E3	1	207016002	Ball Bearing 16002
6-12HF-E4	1	207561905	Ball Bearing 61905-2RS1/C3
6-12HF-E5	1	22112510	Support Ring 25 x 35 x 1.0
6-12HF-E6	1	22112520	Support ring 25 x 35 x 2.0
6-12HF-E7	1	23120028	O-ring 28 x 2.0
6-12HF-E8	1	23115053	O-ring 53 x 1.5 NBR70
6-12HF-E9	1	24002803504G 27030100-	Radial seal 28 x 35 x 4
6-12HF-E10	1	06/07/08/09/1.1/1.2	Plate, slip-clutch inner t. T=0.6 - 1.2
6-12HF-E11	6	27030100	Plate, slip-clutch inner teeth
6-12HF-E12	4	27040100	Plate, slip-clutch outer teeth
6-12HF-E13	2	32243415	Bellev. wash. 34x24x1.5 slip clutch
6-12HF-E14	1	34160600	Pinion Slip-Clutch 6 - 10/12
6-12HF-E15	1	34160601	Slip Clutch Disc Type 6-10/6-12 cpl
6-12HF-E16	1	35430600	Worm gear friction type clutch
6-12HF-E17	1	57280200	Seal Housing Slip-clutch 6-10/12
6-12HF-E18	1	58250100	Cover arm-rotation

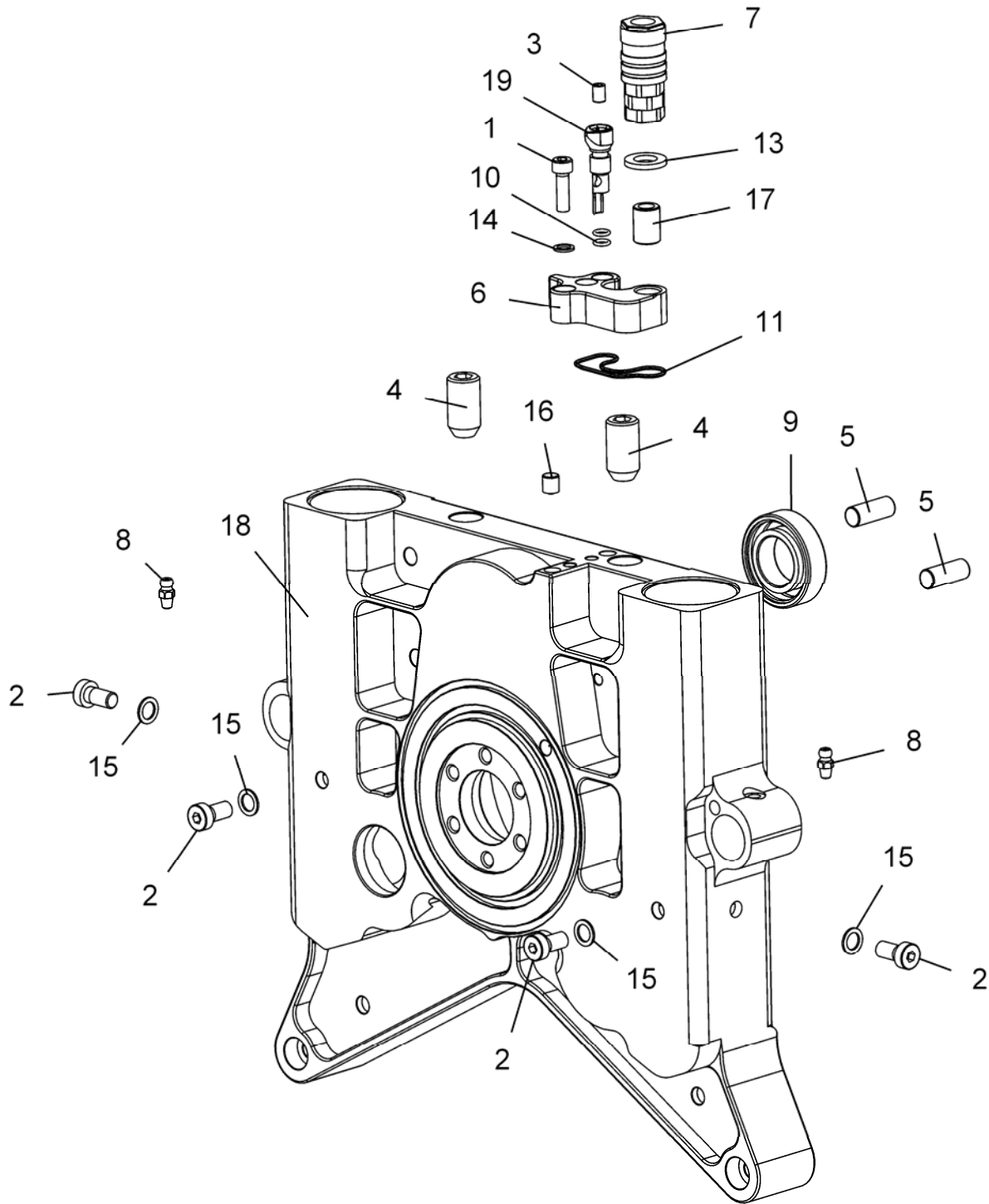
Blade flange standard



Blade flange standard

Pos.	Qty	Part number	Description	
6-12HF-F1	1	14100100	Centre bolt M14x1.5 H	OLD
6-12HF-F1	1	14100200	Centre bolt LH Thread	
6-12HF-F2	3	17308180-RF	Cyl. Pin 8 x 18 Stainless	
6-12HF-F2	3	17306180-RF	Cyl. Pin 6 x 18 Stainless	USA
6-12HF-F2	3	17308200-RF	Cyl. Pin 8 x 20 Stainless	Japan
6-12HF-F3	1	23120008	O-ring 8 x 2 NBR 70	
6-12HF-F4	1	42050100	Blade flange, inner 60 mm bore	
6-12HF-F4	1	42050200	Blade flange inner for 1-3/8" bore	USA
6-12HF-F5	1	42060100	Blade flange outer 60mm & 1-3/8"	
6-12HF-F6	1	42050101	Blade flange inner 60mm bore cpl	
6-12HF-F6	1	42050201	Blade flange inner 1-3/8" bore cpl	USA
6-12HF-F7	1	42880101	Blade flange sub ass. 60mm bore cpl	
6-12HF-F7	1	42880201	Blade flange sub-ass 1-3/8"bore cpl	USA
6-12HF-F7	1	42880301	Blade flange 60mm sub-ass Japan cpl	Japan

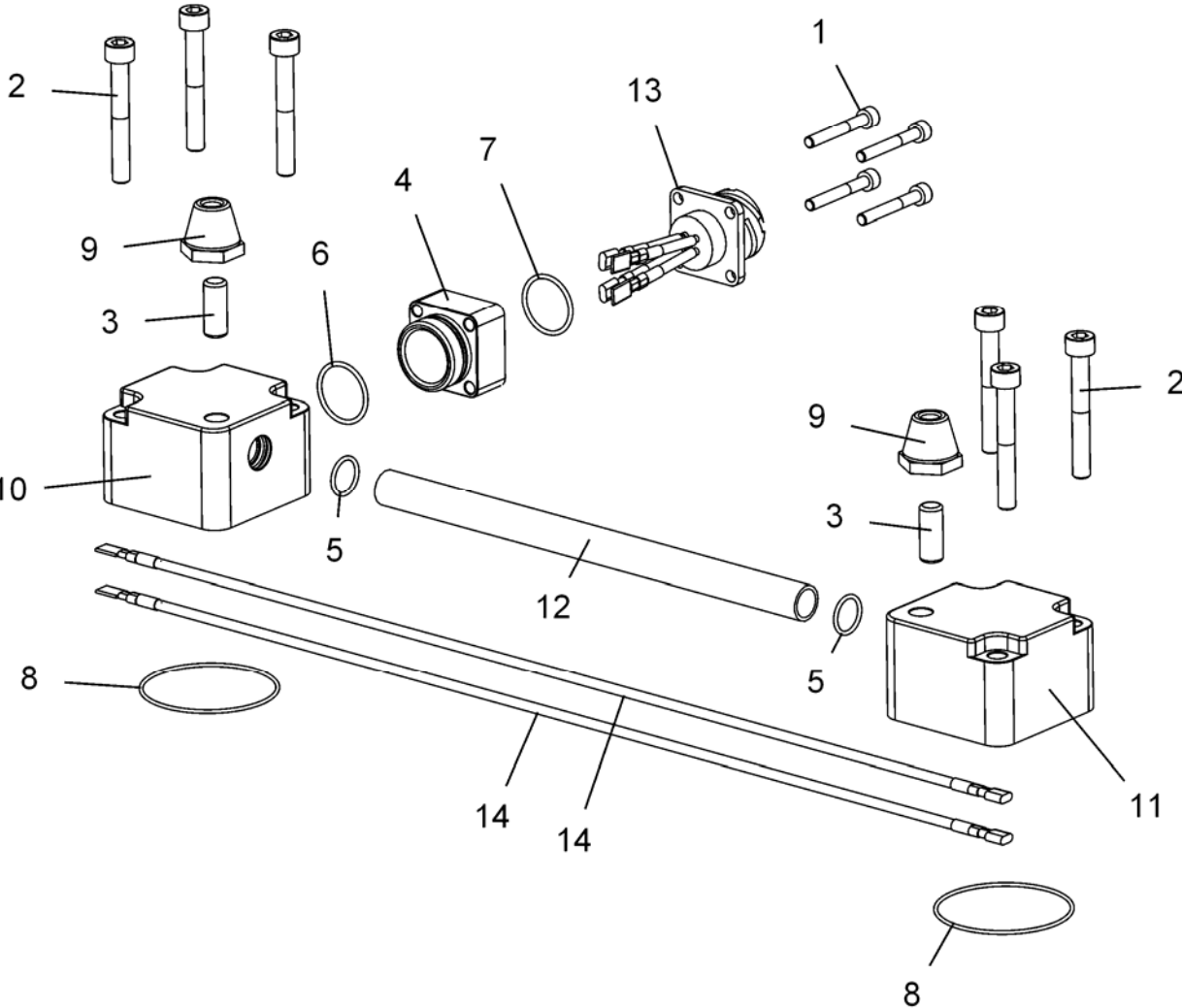
Chassis 6-12HF



Chassis 6-12HF

Pos.	Qty	Part number	Description
6-12HF-G1	2	121006020-12.9FZ	Allen screw DIN912 M6x20 12.9F
6-12HF-G2	4	121908016-10.9FZ	Allen Screw M8x16 10.9FZ extra low
6-12HF-G3	1	122906008	Grub screw M6 x 8
6-12HF-G4	2	14220100	Coupling Screw
6-12HF-G5	2	17310250	Cyl-pin 10 x 25
6-12HF-G6	1	18040200	Manifold bypass 6 - 12HF
6-12HF-G7	1	19250120	Coupling female 1/4" Tema1300
6-12HF-G8	2	19930261	Grease nipple M6 x 1
6-12HF-G9	1	20756005	Ball bearing 6005-2RS1/C3
6-12HF-G10	2	23115007	O-ring 7 x 1.5 NBR 70
6-12HF-G11	1	23115045	O-ring 45 x 1.5 NBR 70
6-12HF-G12	1	23120008	O-ring 8 x 2 NBR 70
6-12HF-G13	1	23200014	Dowty washer 1/4"
6-12HF-G14	2	23206710	Dowty washer 6.7 x 10 x 1
6-12HF-G15	4	23208713	Dowty washer 8.7 x 13 x 1
6-12HF-G16	1	25010200	Plug MB 800-080
6-12HF-G17	1	50010100	Stud 1/4" BSPP
6-12HF-G18	1	56020300	Chassis 6 - 12 HF
6-12HF-G19	1	60380300	Valve spindle water 6-12HF

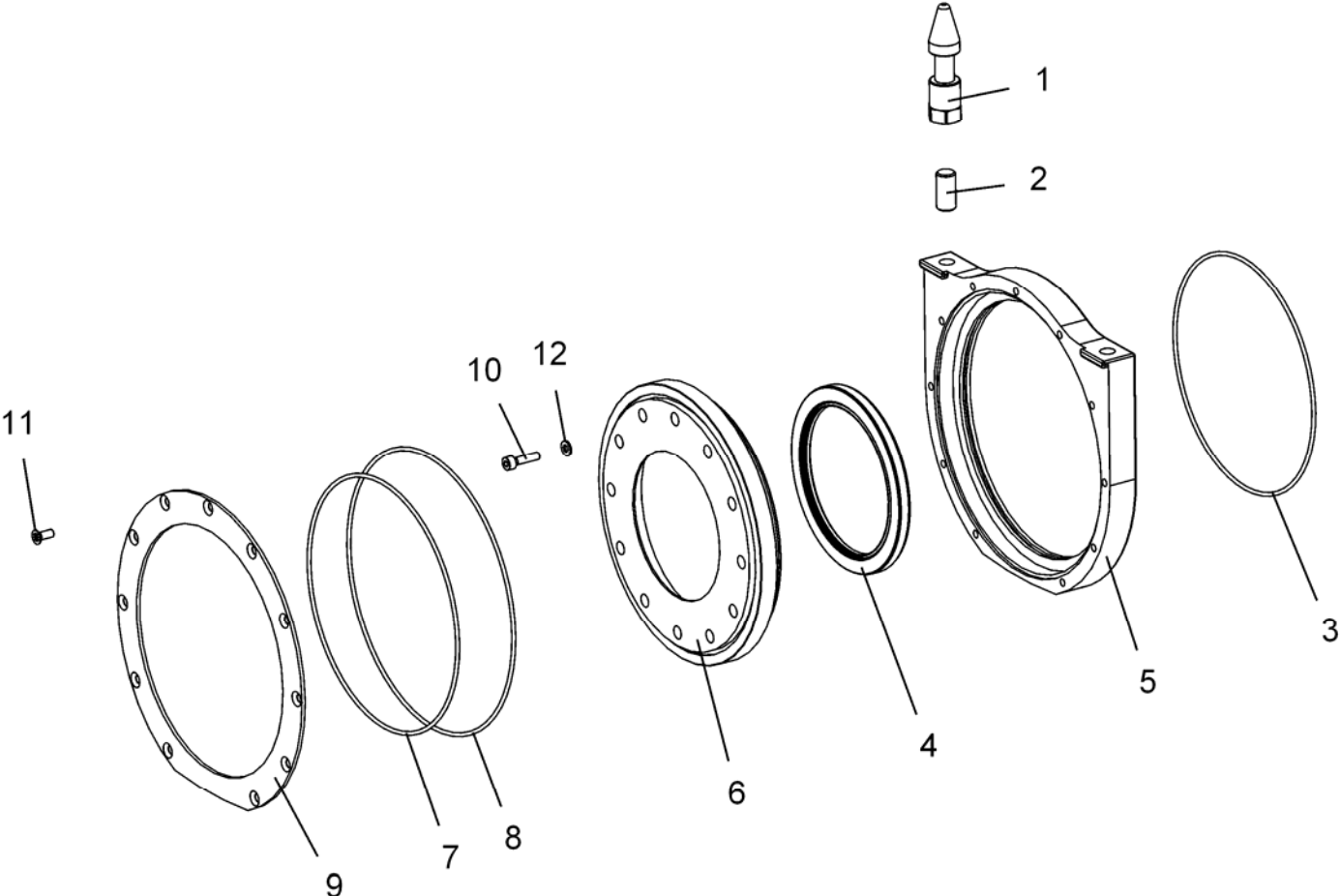
Feed motor covers



Feed motor covers

Pos.	Qty	Part number	Description
6-12HF-H1	4	121004030-8.8A2	Allen screw DIN 912 M4x30 8.8 A2
6-12HF-H2	6	121006045-8.8A2	Allen Screw DIN912 M6x45 8.8 A2
6-12HF-H3	2	14080700	Stud M8 x 20 10.9
6-12HF-H4	1	22410100	Spacer Cannon connector 24V
6-12HF-H5	2	23115012	O-ring 12 x 1.5 NBR 70
6-12HF-H6	1	23115022	O-ring 22 x 1.5 NBR 70
6-12HF-H7	1	23115018	O-ring 18 x 1.5 NBR 70
6-12HF-H8	2	23115045	O-ring 45 x 1.5 NBR 70
6-12HF-H9	2	40070100	Guide cone M8
6-12HF-H10	1	58280500	Cover DC-motor RH side 6-12
6-12HF-H11	1	58280600	Cover DC-motor LH side 6-12
6-12HF-H12	1	50190600	Link tube 6 - 12HF
6-12HF-H13	1	64015101	Connector on saw head 24V
6-12HF-H14	2	64017601	Cables between feed motors 6-12HF

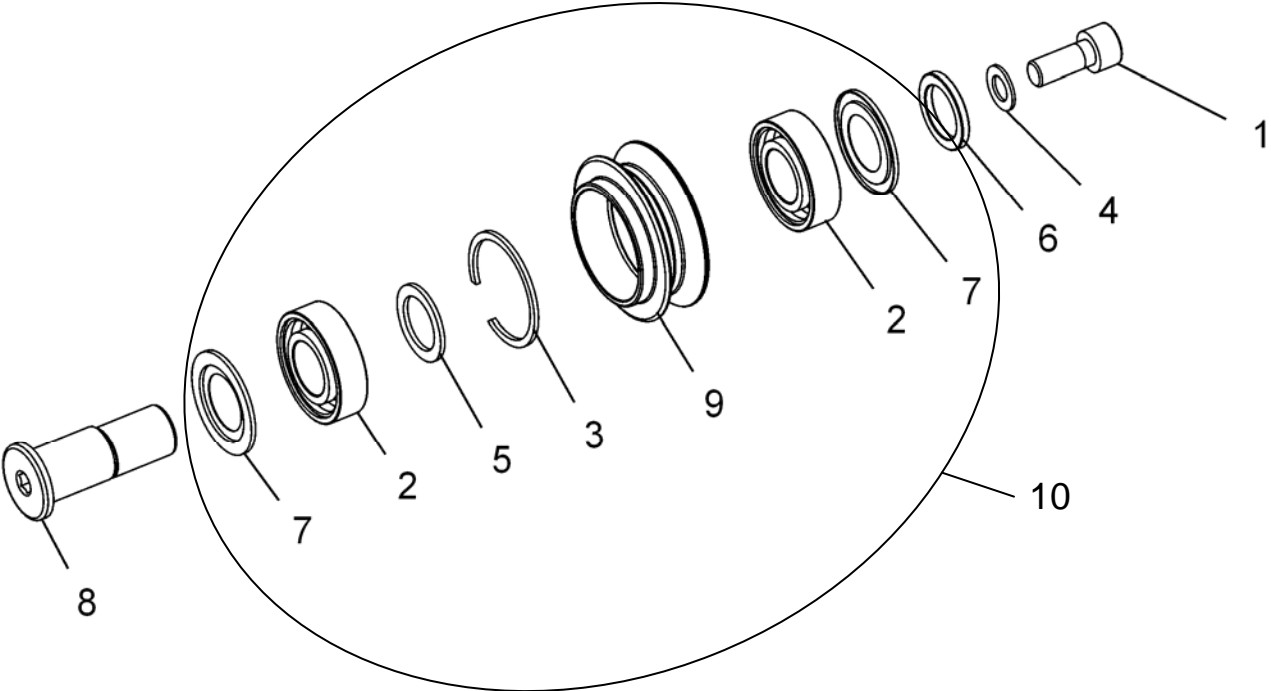
Guard holder flange



Guard holder flange

Pos.	Qty	Part number	Description
6-12HF-I1	2	40070300	Guide cone int. M10
6-12HF-I2	2	14080800	Threaded pin M10 x 20
6-12HF-I3	1	23120140	O-ring 140 x 2
6-12HF-I4	1	24008010007	Radial seal 80x100x7
6-12HF-I5	1	42020100	Flange blade guard holder
6-12HF-I6	1	420101	Flange White POM
6-12HF-I7	1	23120135	O-ring 135 x 2 NBR 70
6-12HF-I8	1	23120150	O-ring 150 x 2.0
6-12HF-I9	1	42020300	Flange T=2
			Allen screw DIN 912 M4 x 16
6-12HF-I10	12	121004016-12.9FZ	12.9Z
6-12HF-I11	11	121404012	C/S Torx screw DIN7500-1 M4x12
6-12HF-I12	12	22110410	Support Ring 4 x 8 x 1

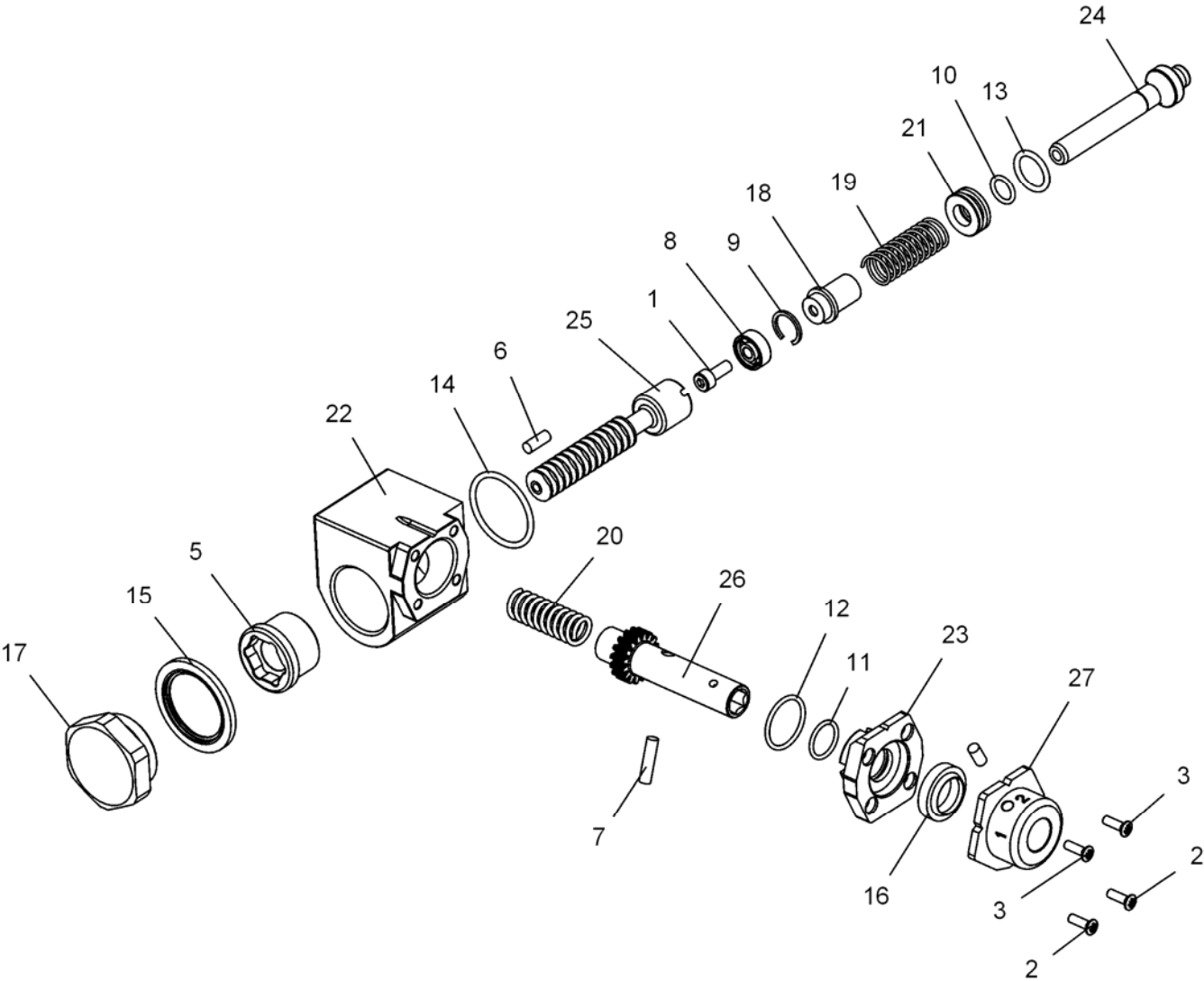
Lower roller assembly



Lower roller assembly

Pos.	Qty	Part number	Description
6-12HF-J1	1	121008020-12.9FZ	Allen screw DIN912 M8x20 12.9Z
6-12HF-J2	2	20756003	Ball bearing 6003-2RS1
6-12HF-J3	1	21300350	Circlip SB 35
6-12HF-J4	1	22110810	Support Ring 8 x 14 x 1
6-12HF-J5	1	22111715	Support ring 17 x 24 x 1.5
6-12HF-J6	1	22140100	Spacer eccentric shaft
6-12HF-J7	2	23506003	Nilos seal 6003 AV
6-12HF-J8	1	34080100	Eccentric, Adjustable 6-10 6-16 8-20
6-12HF-J9	1	45010100	Roller 6-10/12, 6-16, 8-20
6-12HF-J10	1	45010101	Roller upper and lower, cpl.

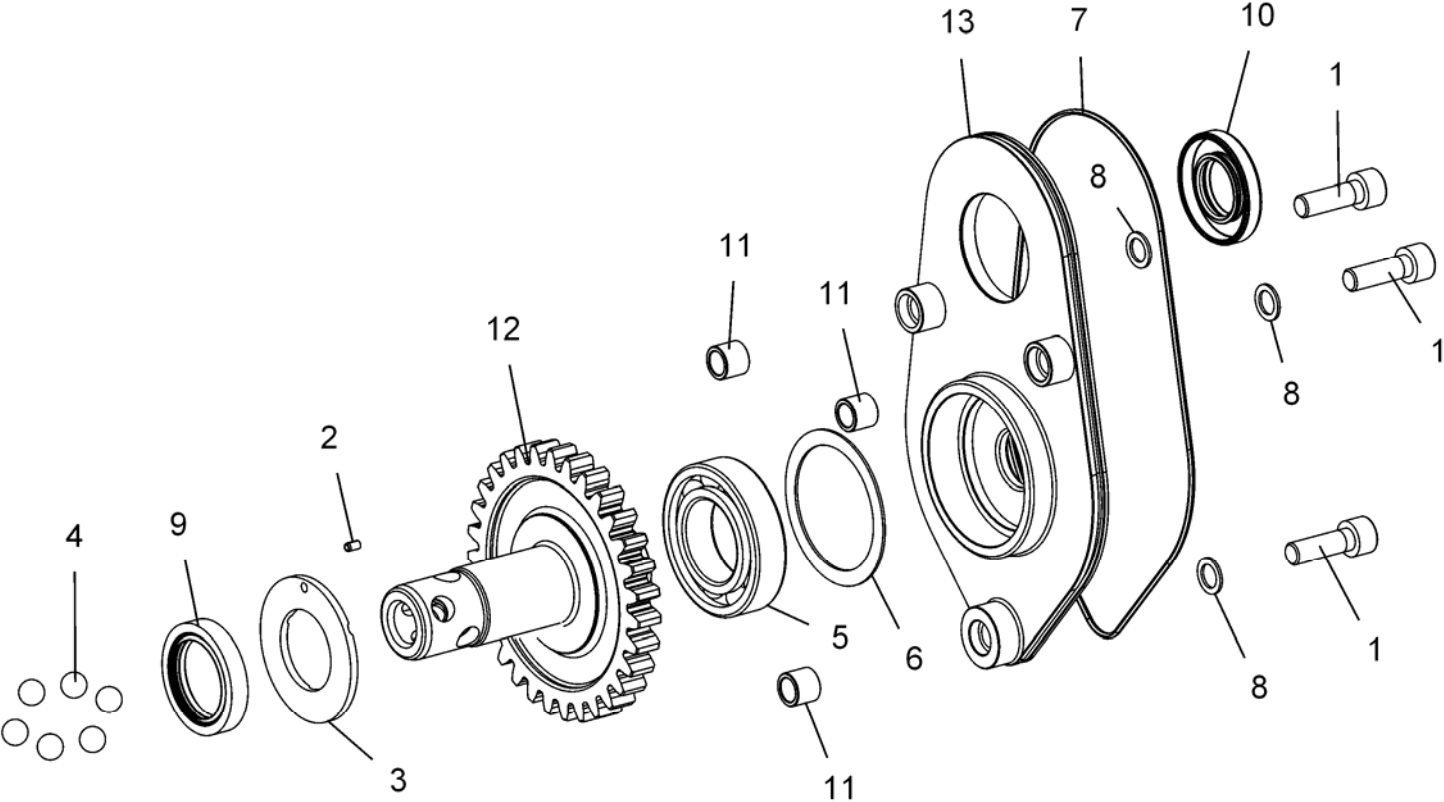
Pentrunder 6-12 Gear change new index type



Pentrunder 6-12 Gear change new index type

Pos.	Qty	Part number	Description
6-12HF-K1	1	121004012-12.9FZ	Allen screw DIN912 M4x12 12.9FZ
6-12HF-K2	2	121635010	Screw Torx M3.5 x 10
6-12HF-K3	2	121635012	Screw Torx M3.5 x 12
6-12HF-K4	1	122904008	Grub screw MS6SS M4 x 8
6-12HF-K5	1	14120100	Screw gear change 6-12
6-12HF-K6	1	17304100	Cyl. pin 4 x 10
6-12HF-K7	1	17504160	Roll pin 4 x 16
6-12HF-K8	1	20700624	Ball bearing 624-2Z
6-12HF-K9	1	21300130	Circlip SB 13
6-12HF-K10	1	23115008	O-ring 8 x 1.5 NBR 70
6-12HF-K11	1	23115012	O-ring 12 x 1.5 NBR 70
6-12HF-K12	1	23115016	O-ring 16 x 1.5 NBR 70
6-12HF-K13	1	23120012	O-ring 12 x 2.0 NBR 70
6-12HF-K14	1	23120025	O-ring 25 x 2 NBR 70
6-12HF-K15	1	23200034	Dowty washer 3/4"
6-12HF-K16	1	23091220	Scraper 12 x 20 x 4
6-12HF-K17	1	25120100	Plug 3/4" gear change 6-12
6-12HF-K18	1	26300200	Spacer sleeve 6 - 10
6-12HF-K19	1	32101233	Compression spring 1.0 x 12.5 x 33
6-12HF-K20	1	32160831	Compression spring 1.6 x 8 x 31.5 ID=6.4
6-12HF-K21	1	33010100	O-ring Bushing
6-12HF-K22	1	57230500	Index housing 6-12
6-12HF-K23	1	57230600	Index housing 6 - 12
6-12HF-K24	1	59330200	Shift rod 6 - 10 / 12
6-12HF-K25	1	59350100	Gear shift rack 6 - 16
6-12HF-K26	1	59440100	Index pinion 6 - 12 / 16
6-12HF-K27	1	59550400	Index knob 6 - 12

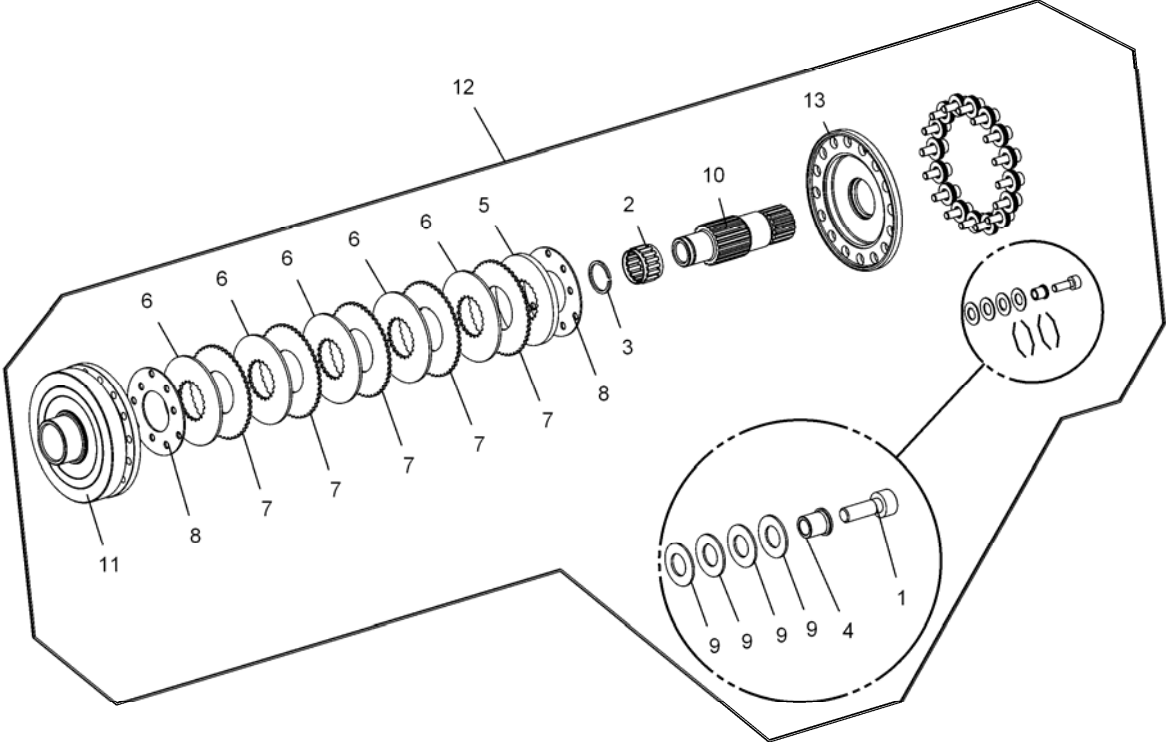
Primary gearbox 6-12HF



Primary gearbox 6-12HF

Pos.	Qty	Part number	Description
6-12HF-L1	3	121008025-12.9FZ	Allen screw DIN912 M8x25 12.9Z
6-12HF-L2	1	17403060	Split pin 3 x 6
6-12HF-L3	1	20193000	Thrust washer 6-12HF
6-12HF-L4	6	20310900	Ball bearing ball RB 9
6-12HF-L5	1	20756006	Ball bearing 6006-2RS1/C3
6-12HF-L6	1	22114510	Support ring 45 x 56 x 1.0
6-12HF-L7	1	23120144	O-ring 144 x 2 NBR 70
6-12HF-L8	3	23208713	Dowty washer 8.7 x 13 x 1
6-12HF-L9	1	23902804007	Seal 28x40x7 w/o dust lip
6-12HF-L10	1	24002004007	Seal 20 x 40 x 7 with dust lip
6-12HF-L11	3	26280600	Dowel 8.5 x 12 x 10
6-12HF-L12	1	34190800	Gear shaft primary 6 - 12 HF
6-12HF-L13	1	58290200	Cover oval 6-12HF

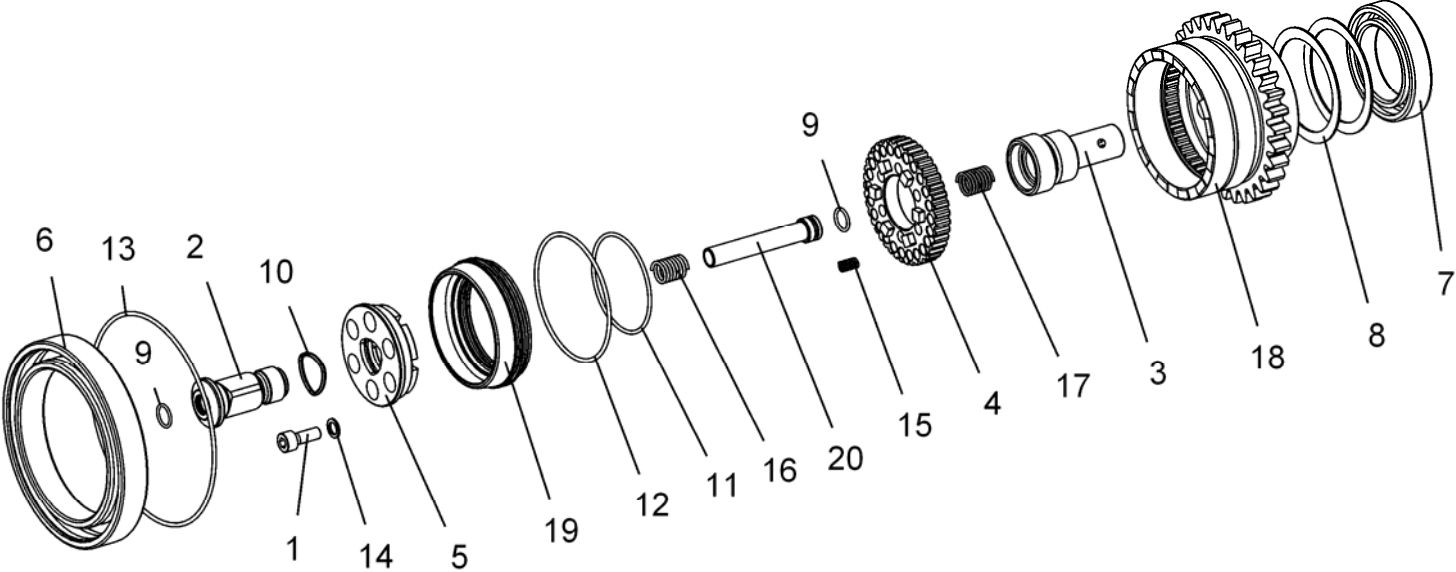
Slip clutch 6-12HF



Slip clutch 6-12HF

Pos.	Qty	Part number	Description
6-12HF-M1	16	121204012-10.9	Allen Screw DIN7984 M4x12 10.9
6-12HF-M2	1	2052162013	Needle roller bearing K 16x20x13
6-12HF-M3	1	21101600	Circlip SW 16
6-12HF-M4	16	22170100	Spacer, slip clutch HF
6-12HF-M5	1	27030400360	Clutch disc int. HF T=3.6 3.25, 3.30, 3.35, 3.40, 3.45, 3.55, 3.60, 3.65, 3.70, 3.75, 3.80
6-12HF-M6	5	27030700	Clutch disc int. HF T=1.5
6-12HF-M7	5	27040200	Clutch disc, ext. teeth HF
6-12HF-M8	2	27050200	Slip Washer YD=49 ID=23 T=1
6-12HF-M9	64	32126206	Belleville washer 12 x 6.2 x 0.6
6-12HF-M10	1	34190700	Clutch shaft 6-12 HF
6-12HF-M11	1	35121400	Gear slip clutch 6 - 12 HF
6-12HF-M12	1	35121401	Slip clutch 6 - 12 HF
6-12HF-M13	1	46480100	Pressure plate slip clutch 6-12 HF

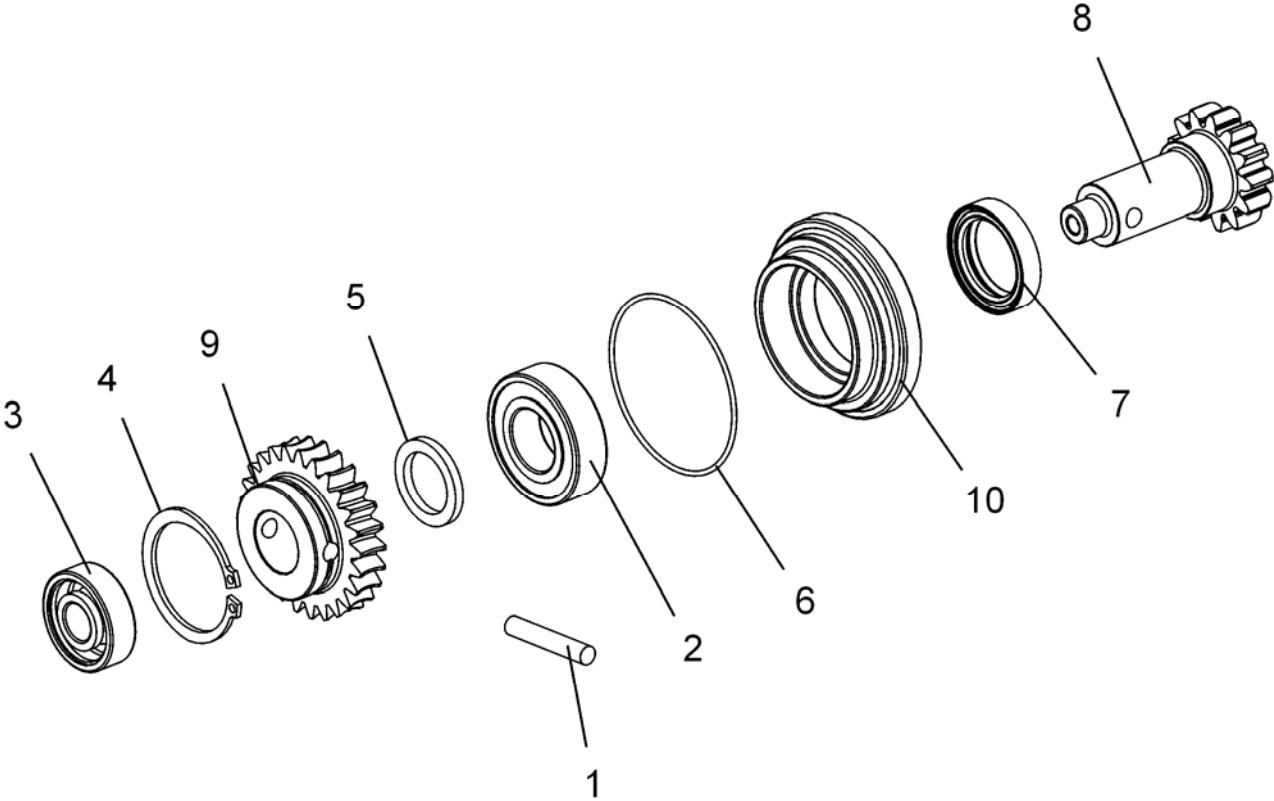
Spindle 6-12HF



Spindle 6-12HF

Pos.	Qty	Part number	Description
6-12HF-N1	6	121006016-12.9FZ	Allen screw DIN912 M6x16 12.9Z
6-12HF-N2	1	14010200	Pull stud 6-10/12/16, 8-20
6-12HF-N3	1	14010100	Screw quick disconnect coupling
6-12HF-N4	1	16180200	Thread washer with dogs
6-12HF-N5	1	16230200	Washer, int. triangular with dogs
6-12HF-N6	1	207561916	Ball bearing 61916-2RS1/C3
6-12HF-N7	1	207061908	Ball Bearing 61908/C3
6-12HF-N8	2	22116210	Support Ring PS 50 x 62 x 1.0
6-12HF-N9	2	23115010	O-ring 10 x 1.5 NBR 70
6-12HF-N10	1	23120020	O-ring 20 x 2
6-12HF-N11	1	23120050	O-ring 50 x 2 NBR 70
6-12HF-N12	1	23120064	O-ring 64 x 2 NBR 70
6-12HF-N13	1	23120110	O-ring 110 x 2 NBR 70
6-12HF-N14	6	23206710	Dowty washer 6.7 x 10 x 1
6-12HF-N15	6	32090515	Compression spring 0.9 x 5.4 x 15
6-12HF-N16	1	32121015	Spring 1.2 x 10 x 15
6-12HF-N17	1	32150915	Spring 1.5 x 9 x 15
6-12HF-N18	1	342802	Spindle 6 - 10 / 6 - 12
6-12HF-N19	1	40040100	Centering cone
6-12HF-N20	1	500701	Tube water feed

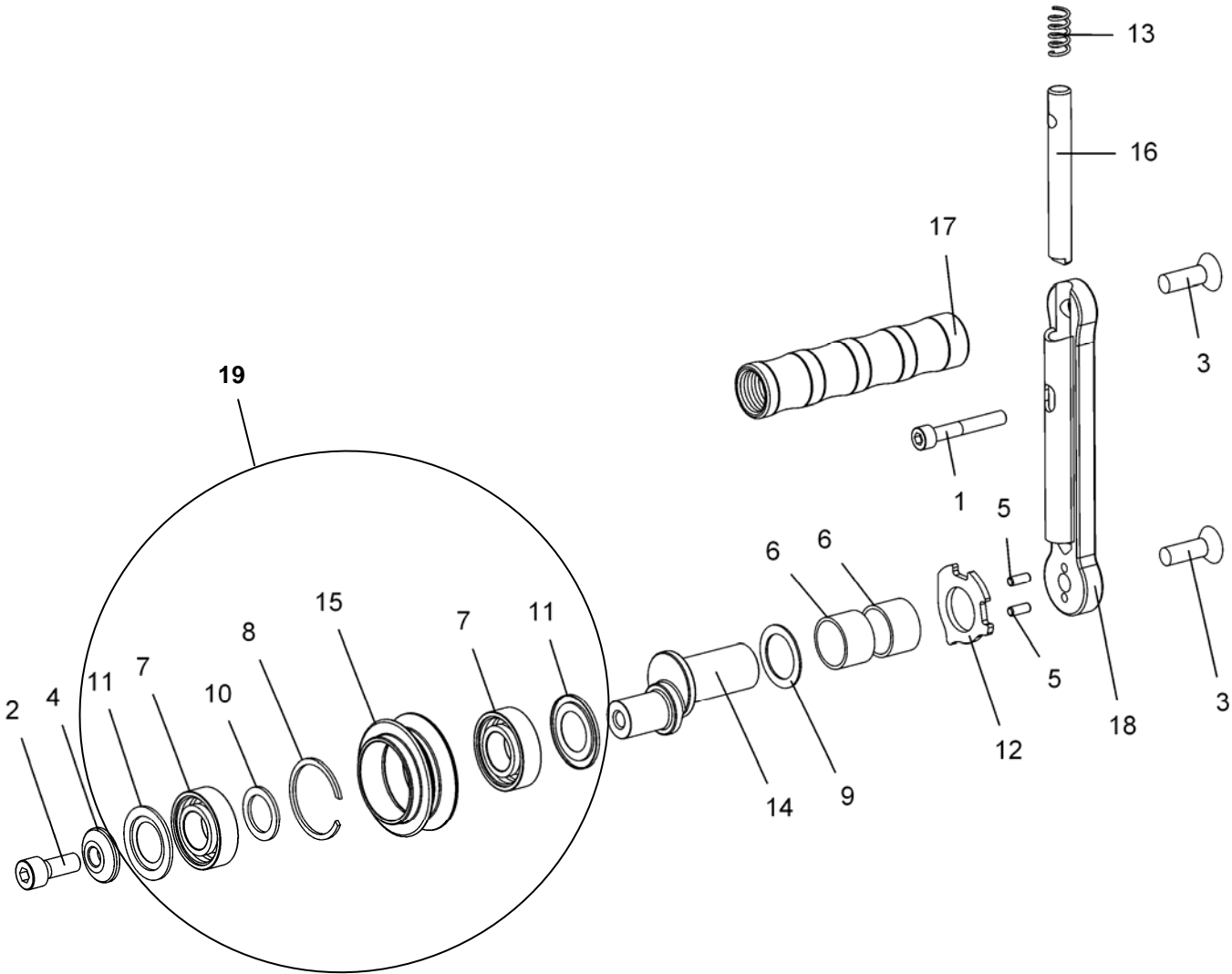
Travel pinion



Travel pinion

Pos.	Qty	Part number	Description
6-12HF-O1	1	17306350	Shear Pin 6 x 35
6-12HF-O2	1	20756004	Ball bearing 6004-2RSH/C3
6-12HF-O3	1	20706201	Ball bearing 6201-2Z/C3
6-12HF-O4	1	21203800	Circlip 38 mm DIN 471
6-12HF-O5	1	22140200	Spacer travel pinion
6-12HF-O6	1	23115053	O-ring 53 x 1.5 NBR 70
6-12HF-O7	1	24002503507	Seal 25 x 35 x 7 with dust lip
6-12HF-O8	1	34160200	Pinion travel Pentrunder
6-12HF-O9	1	35430300	Worm Gear for shear pin D=6
6-12HF-O10	1	58250200	Cover travel Pentrunder

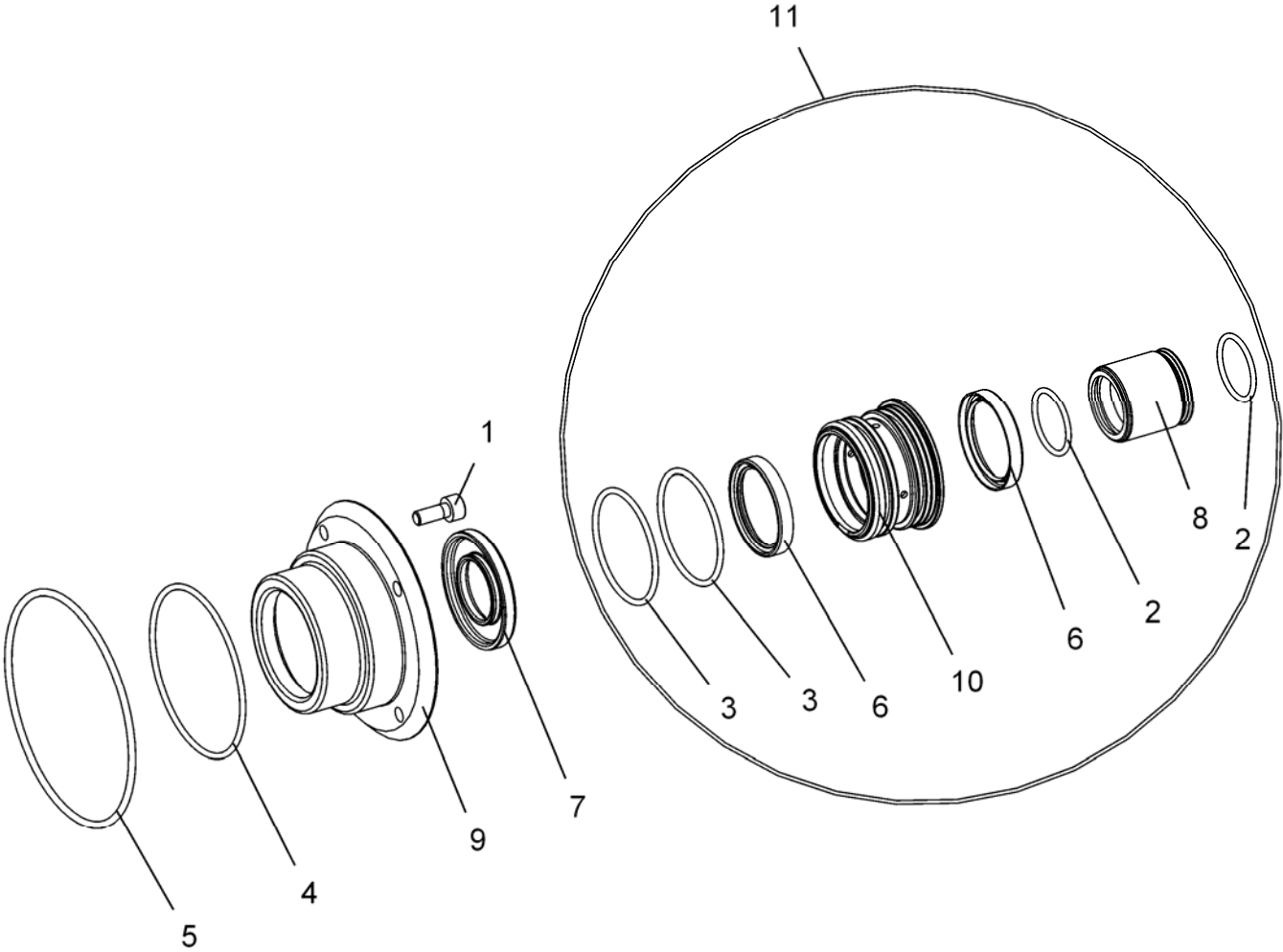
Upper roller



Upper roller

Pos.	Qty	Part number	Description
6-12HF-P1	1	121006050-Spec	Allen Screw M6 x 31.5 spec.
6-12HF-P2	1	121008020-12.9FZ	Allen screw DIN912 M8x20 12.9Z
6-12HF-P3	2	123008025-10.9FZ	C/S Allen Screw DIN7991 M8x25 10.9Z
6-12HF-P4	1	16240200	Washer eccentric roller
6-12HF-P5	2	17304100	Cyl. Pin 4 x 10
6-12HF-P6	2	2036202315	Bushing 20 x 23 x 15
6-12HF-P7	2	20756003	Kullager 6003-2RSH/C3
6-12HF-P8	1	21300350	Circlip SB 35
6-12HF-P9	1	22102009	Support Ring 20 x 28 x 0.9
6-12HF-P10	1	22111715	Support ring 17 x 24 x 1.5
6-12HF-P11	2	23506003	Nilos seal 6003 AV
6-12HF-P12	1	28010200	Lock plate 6 - 10 / 6 - 12
6-12HF-P13	1	32120720	Compression spring 1.2x7x20
6-12HF-P14	1	34080300	Shaft Eccentric Locking 6-10/12 +HF
6-12HF-P15	1	45010100	Roller 6-10/12, 6-16, 8-20
6-12HF-P16	1	47010200	Plunger handle 6-10 / 6-12
6-12HF-P17	1	53010200	Handle 6 - 10/12
6-12HF-P18	1	54030100	Lever-arm 6 - 10/12
6-12HF-P19	1	45010101	Roller upper and lower, cpl.

Water seal housing



Water seal housing

Pos.	Qty	Part number	Description
6-12HF-Q1	4	121004010-12.9FZ	Allen screw DIN912 M4x10 12.9FZ
6-12HF-Q2	2	23115017	O-ring 17 x 1.5 NBR 70
6-12HF-Q3	2	23120028	O-ring 28 x 2 NBR 70
6-12HF-Q4	1	23120048	O-ring 48 x 2 NBR 70
6-12HF-Q5	1	23125064	O-ring 64 x 2.5 NBR 70
6-12HF-Q6	2	24002202804	Seal, water 22 x 28 x 4
6-12HF-Q7	1	23901703404G	Seal 17 x 34 x 4 rubber
6-12HF-Q8	1	26250200	Wear-sleeve Watersealing Pentrunder
6-12HF-Q9	1	34040400	Swivel housing Stainless Steel
6-12HF-Q10	1	57210100	Waterseal Housing Pentrunder
6-12HF-Q11	1	57210101	Water Seal Housing Pentrunder cpl