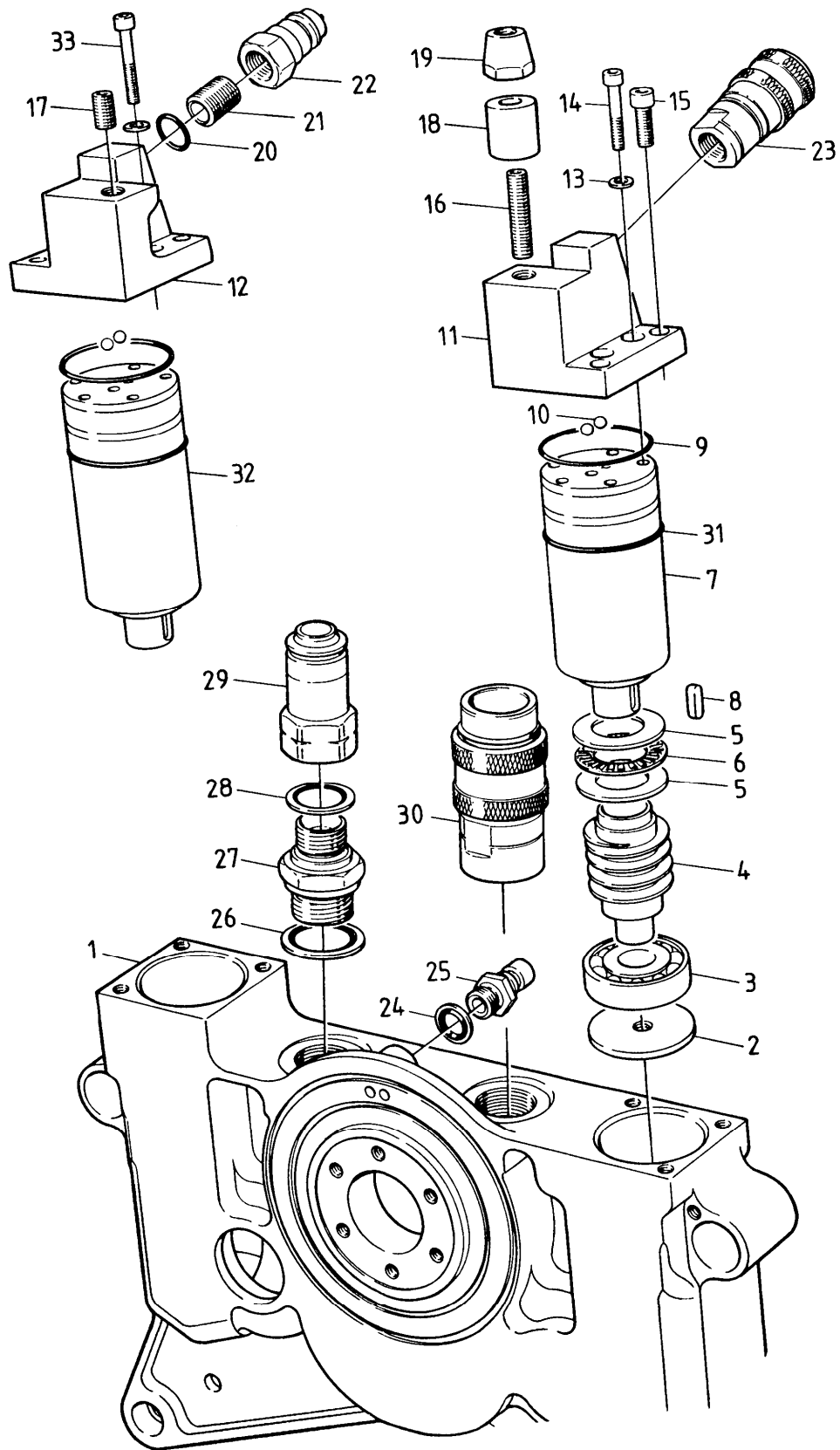
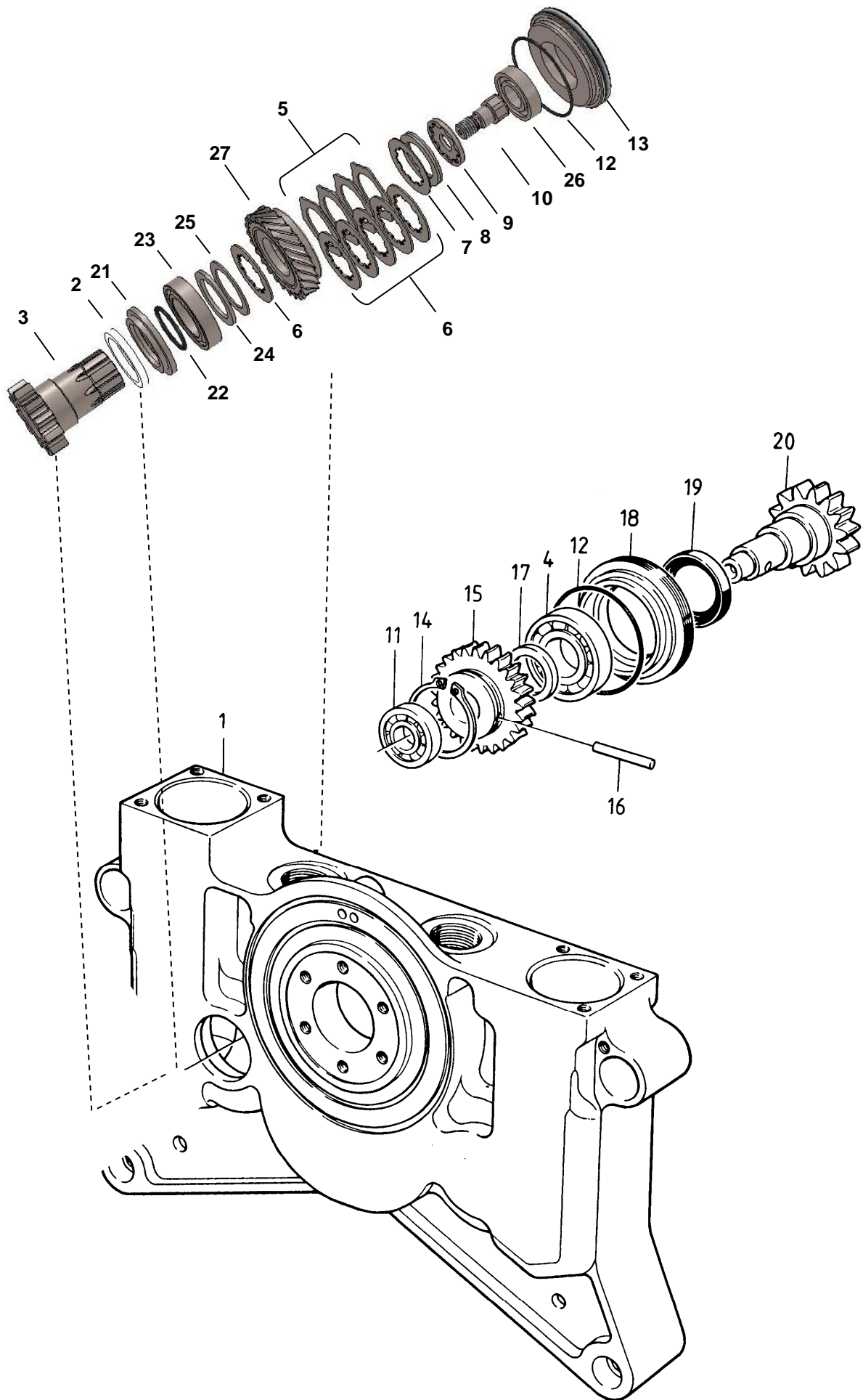


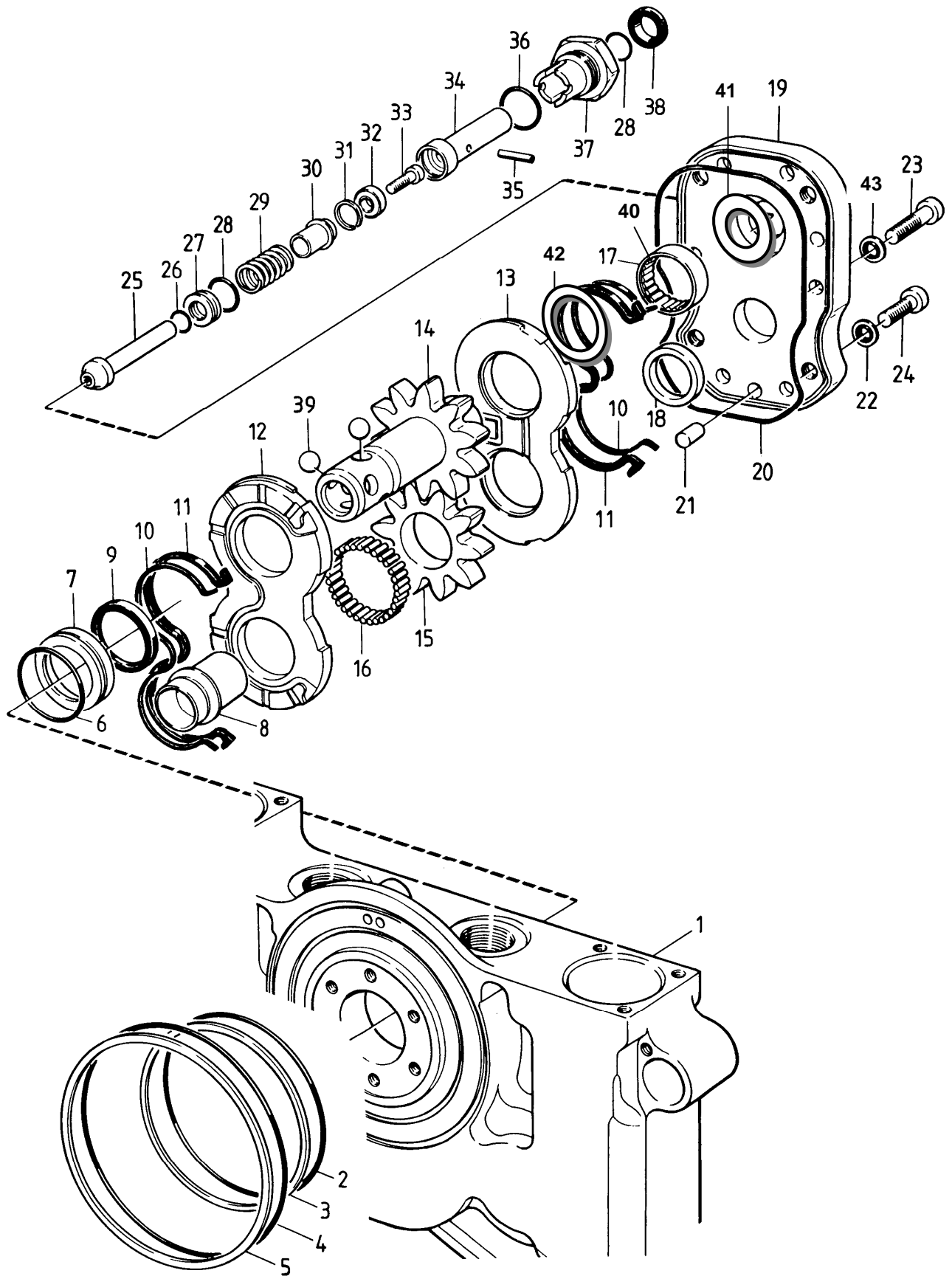
6-12-A01	56020200	Chassi	
6-12-A02	32120720	Spring	1.2 x 7 x 20
6-12-A03	47010200	Detent shaft	
6-12-A04	54030100	Lever	
6-12-A05	121006050-Spec	Allen screw	M6 x 50 shortened to 31.5 mm
6-12-A06	53010200	Handle 6 - 10	
6-12-A07	123008025-10.9FZ	C/S allen screw	DIN 7991 M8 x 25 10.9 Fzb
6-12-A08	17304100	Dowel pin	4 x 10
6-12-A09	28010200	Locking-slider 6 - 10	
6-12-A10	2036202315	Bushing	20 x 23 x 15
6-12-A11	22102009	Spacer washer	20 x 28 x 0.9
6-12-A12	34080300	Shaft Eccentric Locking 6 - 10	
6-12-A13	23506003	Nilos seal	6003 AV
6-12-A14	20756003	Ball bearing	6003-2RS1
6-12-A15	21300350	Circlip	SB 35
6-12-A16	45010100	Roller 6 - 10 / 6 - 16	
6-12-A17	22111715	Spacer washer	17 x 24 x 1.5
6-12-A18	16240200	Washer	
6-12-A19	121008020-12.9FZ	Allen screw	DIN 912 M8 x 20 12.9 Fzb
6-12-A20	121008020-12.9FZ	Allen screw	DIN 912 M8 x 20 12.9 Fzb
6-12-A21	22110810	Washer	8 x 14 x 1.0
6-12-A22	22140100	Spacer eccentric shaft	
6-12-A23	34080100	Eccentric, Adjustable 6-10 / 6-16	



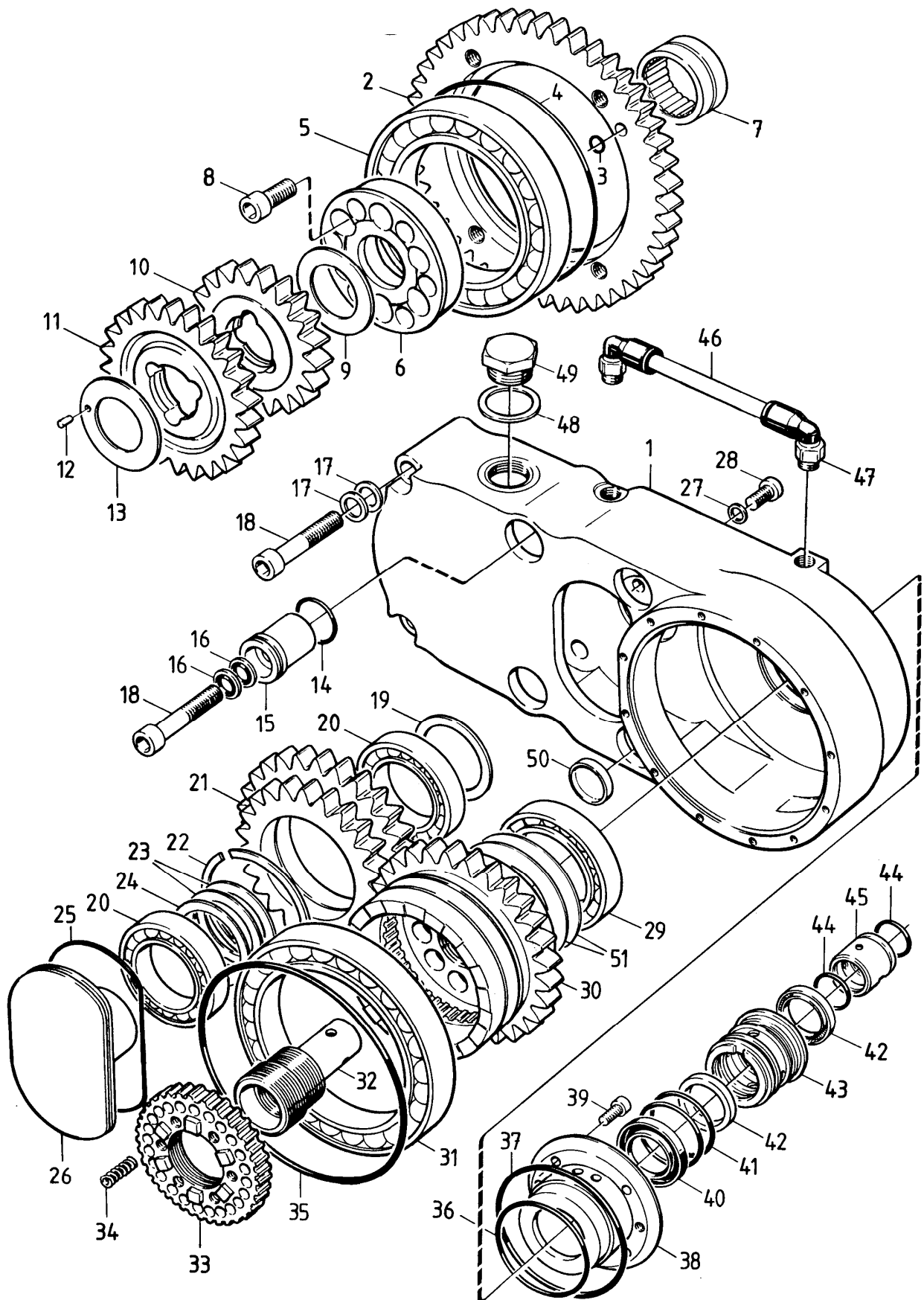
6-12-B01	56020200	Chassi	
6-12-B02	16290100	Washer, bearing extraction	
6-12-B03	20877302	Angular ball bearing	7302 BEP
6-12-B04	35500100	Worm screw	
6-12-B05	200181104	Axial thrust washer	WS 811 04
6-12-B06	20082035	Axial needle roller bearing	AXK 2035
6-12-B07	60010301	Hydraulic motor	OML 12.5
6-12-B08	29110100	Key	
6-12-B09	23110040	O-ring	40 x 1 NBR 70
6-12-B10	20310500	Ball	RB 5
6-12-B11	58280300	Cover OML left 6 - 10	
6-12-B12	58280200	Cover OML right 6 - 10	
6-12-B13	16350100	Seal Washer OML-motor	
6-12-B14	121005035-12.9FZ	Screw	DIN 912 M5 x 35 12.9 Fzb
6-12-B15	121006025-12.9FZ	Screw	DIN 912 M6 x 25 12.9 Fzb
6-12-B16	14080600	Bolt	M8 x 45 (L= 53mm) 10.9
6-12-B17	14080700	Bolt	M8 x 20 10.9
6-12-B18	22150200	Spacer 8.5 x 19 x 30 (6-10)	L = 30mm
6-12-B19	40070100	Guide cone	M8
6-12-B20	23116013.1	O-ring	13.1 x 1.6 NBR 70
6-12-B21	50010100	Fitting	1/4" - BSPP
6-12-B22	38010100	Coupling Bruning	Male 1/4" BSPP
6-12-B22	38120100	Coupling Holmbury	Male 1/4" BSPP
6-12-B23	38050100	Coupling Bruning	Female 1/4" BSPP
6-12-B23	38130100	Coupling Holmbury	Female 1/4" BSPP
6-12-B24	23200014	Dowty washer	1/4"
6-12-B25	19240100	Coupling	Tema 1300 Male 1/4" - BSPP
6-12-B26	23200034	Dowty washer	3/4"
6-12-B27	19231100	Fitting	3/4" - 1/2" BSPP
6-12-B28	23200012	Dowty washer	1/2"
6-12-B29	38040200	Coupling Bruning	Male 1/2" BSPP
6-12-B30	38090200	Coupling Bruning	Female 1/2" BSPP
6-12-B31	23115042	O-ring	42 x 1.5 NBR 70
6-12-B32	60010201	Hydraulic motor	OML 32
6-12-B33	121005040-12.9FZ	Allen screw	DIN912 M5 x 40 12.9Fzb



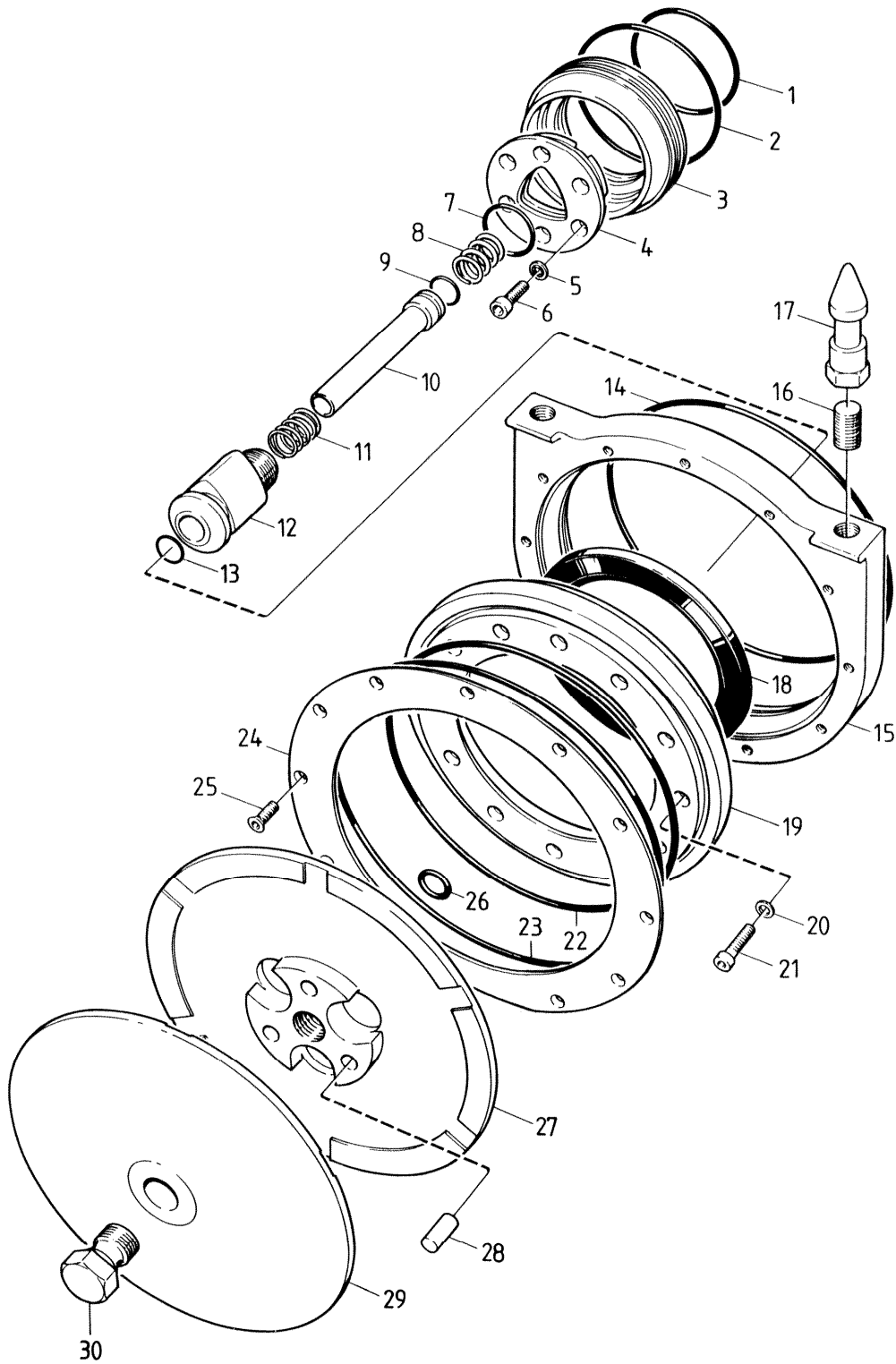
<u>Page Ref.</u>	<u>Part No.</u>	<u>Name</u>	<u>Type/Typ</u>
6-10-C01	56020200	Chassi	
6-12-C02	24002803504G	Radial Seal	28 x 35 x 4
6-12-C03	34160600	Pinion Slip-Clutch 6 – 10/12	
6-12-C04	20756004	Ball bearing 6004-2RSH/C3	
6-12-C05	27040100	Plate, slip-clutch outer teeth	
6-12-C06	27030100	Plate, slip-clutch inner teeth	
6-12-C07	27030100-06(-09)	Plate, slip-clutch inner t. T=0.6 (T=0.7, 0.8, 0.9)	
6-12-C08	32243415	Bellev. wash. 24x34x1.5 slip clutch, 2pcs	
6-12-C09	16030200	Washer slip clutch	
6-12-C10	14100300	Screw Slip-Clutch	
6-12-C11	20706201	Ball bearing	6201-2Z
6-12-C12	23115053	O-ring	53 x 1.5 NBR 70
6-12-C13	58250100	Cover arm-rotation 6-10 / 6-16	
6-12-C14	21203800	Circlip	Sga 38 DIN 471
6-12-C15	35430300	Worm Gear for shear pin ø6	
6-12-C16	17306350	Shear Pin	6 x 35
6-12-C17	22140200	Spacer	
6-12-C18	58250200	Cover travel 6 - 10 / 6 - 16	
6-12-C19	24002503507	Radial seal	25 x 35 x 7
6-12-C20	34160200	Pinion travel 6-10 / 6-16	
6-12-C21	57280200	Seal Housing Slip-clutch 6-10/12	
6-12-C22	23120028	O-ring 28 x 2 NBR 70	
6-12-C23	207561905	Radial support 61905-2RS1/C3	
6-12-C24	22112520	Support Ring 25 x 35 x 2.0	
6-12-C25	22112510	Support Ring 25 x 35 x 1.0	
6-12-C26	207016002	Ball Bearing	16002
6-12-C27	35430600	Worm gear friction type clutch	



<u>Page Ref.</u>	<u>Part No.</u>	<u>Name</u>	<u>Type/Typ</u>
6-12-D01	56020200	Chassi	
6-12-D02	23126095	O-ring	95 x 2.62 NBR 70
6-12-D03	24009510103	Axial seal	ID = 95
6-12-D04	23126120	O-ring	120.32 x 2.62 NBR 70
6-12-D05	24012012603	Axial seal	ID = 120
6-12-D06	23115033	O-ring	33 x 1.5 NBR 70
6-12-D07	22120300	Seal housing	ID = 28
6-12-D08	34020300	Shaft Idling Gear 6 – 10/12	
6-12-D09	24390200	Seal high pressure	28 mm
6-12-D10	25420100	Support ring for seal hyd. motor	
6-12-D11	25420200	Seal hydraulic motor (rubber)	
6-12-D12	60220701	Pressure plate bronze mod. 6-12 cpl	Up to chassi 230
6-12-D12	60220601	Pressure plate w. radius 6-12 cpl	From chassi 231
6-12-D13	60220701	Pressure plate bronze 6-12 cpl	
6-12-D14	34190500	Gear shaft primary 6 - 12, 32 cc	
6-12-D15	35320300	Idling Gear wheel hyd motor 6-12 cc	
6-12-D16	20512514	Needle roller	NRA 2.5 x 13.8 (34 pcs)
6-12-D17	20373512.5	Bearing ring	LR 35 x 40 x 12.5
6-12-D18	22112506	Support-ring hyd. m. 6-12	25x32x5.4
6-12-D19	58430200	Cover hydraulic motor 6-12 Steel	
6-12-D20	23125128	O-ring	128 x 2.5 NBR 80
6-12-D21	17378180	Dowel	7.98 x 18
6-12-D22	23208713	Dowty washer	8.7 x 13 x 1
6-12-D23	121010040-12.9	Allen screw	DIN912 M10x40 12.9
6-12-D24	121008040-12.9	Allen screw	DIN 912 M8 x 40 12.9
6-12-D25	59330200	Shift rod 6 - 10	
6-12-D26	23115008	O-ring	8 x 1.5 NBR 70
6-12-D27	33010100	O-ring Bushing	
6-12-D28	23120012	O-ring	12 x 2 NBR 70
6-12-D29	32201025	Spring	2.0 x 10 x 25
6-12-D30	26300200	Spacer sleeve 6 - 10	
6-12-D31	21300130	Circlip	SB 13
6-12-D32	20700624	Ball bearing	624-2Z
6-12-D33	121004012-12.9FZ	Screw	DIN 912 M4 x 12 12.9 Fzb
6-12-D34	59440200	Selector shaft 6 - 10	
6-12-D35	17504160	Roll pin	4 x 16
6-12-D36	23115019	O-ring	19 x 1.5 NBR 70
6-12-D37	57230300	Index housing 6 - 10	
6-12-D38	23091220	Scraper ring	ASA 12 x 20 x 4 / 6 N
6-12-D39	20310900	Ball	RB 9
6-12-D40	20513512	Needle roller	NRB 3.5 x 11.8 (28 pcs)
6-10-D41	22112805	Support Ring 30 x 42 x 0.1	
6-10-D42	22112508	Support-ring hyd. m. 6-12	28x32x5.4
6-10-D43	23210716	Dowty washer 12.7 x 18 x 1.5	



<u>Page Ref.</u>	<u>Part No.</u>	<u>Name</u>	<u>Type/Typ</u>
6-12-E01	56010200	Arm 6 - 10	
6-12-E02	35360200	Gear ring 6 - 10	
6-12-E03	23115006	O-ring	6 x 1.5 NBR 70
6-12-E04	23110098	O-ring	98 x 1.0 NBR 70
6-12-E05	207061914	Ball bearing	61914 / C3
6-12-E06	57170100	Bearing-housing arm 6 - 10	
6-12-E07	2041NK28/20	Needle roller bearing	NK 2820
6-12-E08	121008020-12.9FZ	Allen screw	DIN 912 M8 x 20 12.9 Fzb
6-12-E09	20192944	Axial bearing	29 x 44
6-12-E10	35110200	Gear wheel primary 1:st 6 - 10	
6-12-E11	35120200	Gear wheel Primary 2:nd 6 - 10	
6-12-E12	17403050	Split pin	3 x 5
6-12-E13	20192744	Axial bearing	27 x 44 Special
6-12-E14	23120017	O-ring	17 x 2 NBR 70
6-12-E15	22150400	Spacer, Arm 6 - 10	
6-12-E16	23208713	Dowty washer	8.7 x 13 x 1
6-12-E17	22110810	Support ring	8 x 14 x 1
6-12-E18	121008045-12.9FZ	Allen screw	DIN 912 M8 x 45 12.9 Fzb
6-12-E19	22113510	Support ring	PS 35 x 42 x 1
6-12-E20	207661907	Ball bearing	61907-2RZ
6-12-E21	35370600	Intermediate Gear Double 6-10	
6-12-E22	21300550	Circlip	SB 55
6-12-E23	22113510	Support ring	PS 35 x 42 x 1
6-12-E24	22113505	Support ring	PS 35 x 42 x 0.5
6-12-E25	23120064	O-ring	64 x 2.0 NBR 70
6-12-E26	34210400	Shaft intermediate gear 6 - 10	
6-12-E27	23206710	Dowty washer	6.7 x 10 x 1
6-12-E28	121206012-8.8FZ	Allen Screw low head	DIN 7984 M6 x 12 8.8 Fzb
6-12-E29	207661908	Ball Bearing	61908-2RZ
6-12-E30	34280200	Spindle 6 - 10	
6-12-E31	207561916	Ball bearing	61916-2RS1
6-12-E32	14010100	Screw quick disconnect coupling	
6-12-E33	16180200	Thread washer with dogs 6-10 / 6-16	
6-12-E34	32090515	Spring	0.9 x 5.4 x 15
6-12-E35	23120110	O-ring	110 x 2 NBR 70
6-12-E36	23120048	O-ring	48 x 2 NBR 70
6-12-E37	23125064	O-ring	64 x 2.5 NBR 70
6-12-E38	34040400	Swivel housing Stainless Steel	
6-12-E39	121004010-12.9FZ	Screw	DIN 912 M4 x 10 12.9 Fzb
6-12-E40	23901703404G	Radial seal, rubber	17 x 34 x 4
6-12-E41	23120028	O-ring	28 x 2.0 NBR 70
6-12-E42	24390400	Seal high pressure	22 mm
6-12-E43	57210100	Waterseal Housing 6-10 / 6-16	
6-12-E44	23115017	O-ring	17 x 1.5 NBR 70
6-12-E45	26250200	Wear-sleeve Watersealing 6-10 / 16	
6-12-E46	52090108	Hose	8 x 5.5 L = 100 mm
6-12-E47	19040500	Fitting 90°	3/8" BSP / 8 mm 90°
6-12-E48	16352026	Alu-washer	20 x 26
6-12-E49	25042015	Plug	M20 x 1.5
6-12-E50	25110300	Plug, Arm 6 - 10	22 mm
6-12-E51	22116210	Washer	50 x 62 x 1.0



<u>Page Ref.</u>	<u>Part No.</u>	<u>Name</u>	<u>Type/Typ</u>
6-12-F01	23120050	O-ring	50 x 2 NBR 70
6-12-F02	23120064	O-ring	64 x 2 NBR 70
6-12-F03	40040100	Centering cone 6-10 / 6-16	
6-12-F04	16230200	Washer, int. triangular with dogs	
6-12-F05	23206710	Dowty washer	6.7 x 10 x 1
6-12-F06	121006016-12.9FZ	Allen screw	DIN 912 M6 x 16 12.9 Fzb
6-12-F07	23120020	O-ring	20 x 2 NBR 70
6-12-F08	32150915	Spring	1.5 x 9 x 15
6-12-F09	23115010	O-ring	10 x 1.5 NBR 70
6-12-F10	50070100	Tube water feed 6-10 / 6-16	
6-12-F11	32121015	Spring	1.2 x 10 x 15
6-12-F12	14010200	Pull stud 6 - 10 / 6 - 16	
6-12-F13	23115010	O-ring	10 x 1.5 NBR 70
6-12-F14	23120140	O-ring	140 x 2 NBR 70
6-12-F15	42020100	Flange blade guard holder 6-10/6-16	
6-12-F16	14080800	Stud	M10 x 20
6-12-F17	40070300	Guide cone int. M10	
6-12-F18	24008010007	Radial seal	80 x 100 x 7
6-12-F19	42010100	Flange White POM	
6-12-F20	22110410	Washer	4x8x1.0
6-12-F21	121004016-12.9FZ	Allen screw	DIN 912 M4 x 16 12.9 Fzb
6-12-F22	23120135	O-ring	135 x 2 NBR 70
6-12-F23	23120150	O-ring	150 x 2 NBR 70
6-12-F24	42020300	Flange	T = 2
6-12-F25	121404010	C/S Torx screw	M4x 10
6-12-F26	23120008	O-ring	8 x 2 NBR 70
6-12-F27	42050100	Blade flange, inner	D = 60 / 158
6-12-F27	42050200	Blade flange, inner	D = 1-3/8" / 158mm
6-12-F28	17308180-RF	Cyl. Pin, stainless	7.98 x 18
6-12-F28	17306200-RF	Cyl. Pin, stainless	6 x 20 (USA)
6-12-F28	17308200-RF	Cyl. Pin, stainless	7.98 x 20 (Japan)
6-12-F29	42060100	Blade flange outer for 60 mm bore	
6-12-F29	42060200	Blade flange outer for 1-3/8" bore	USA
6-12-F30	14100100	Centre bolt	M14 x 1.5