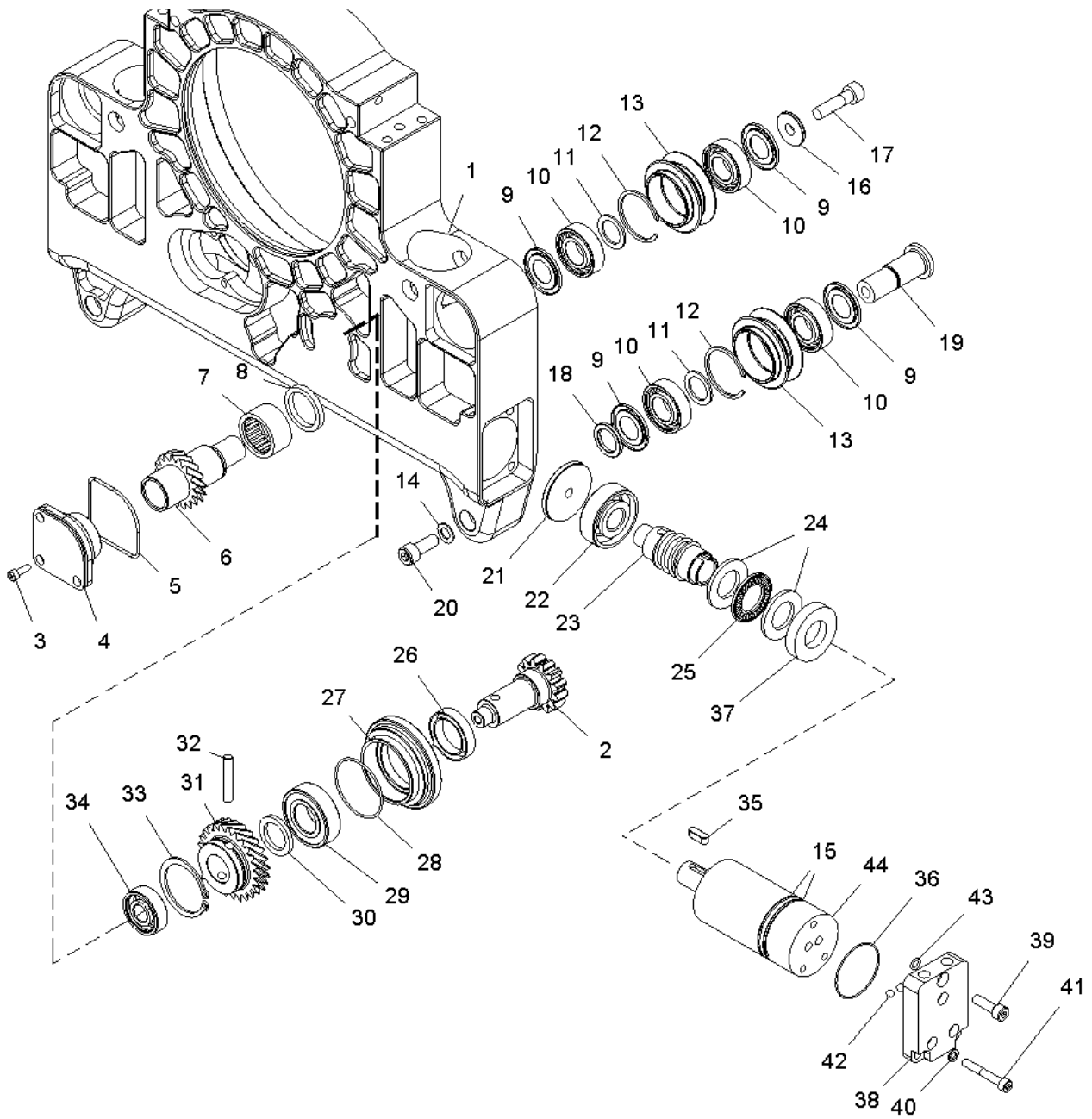
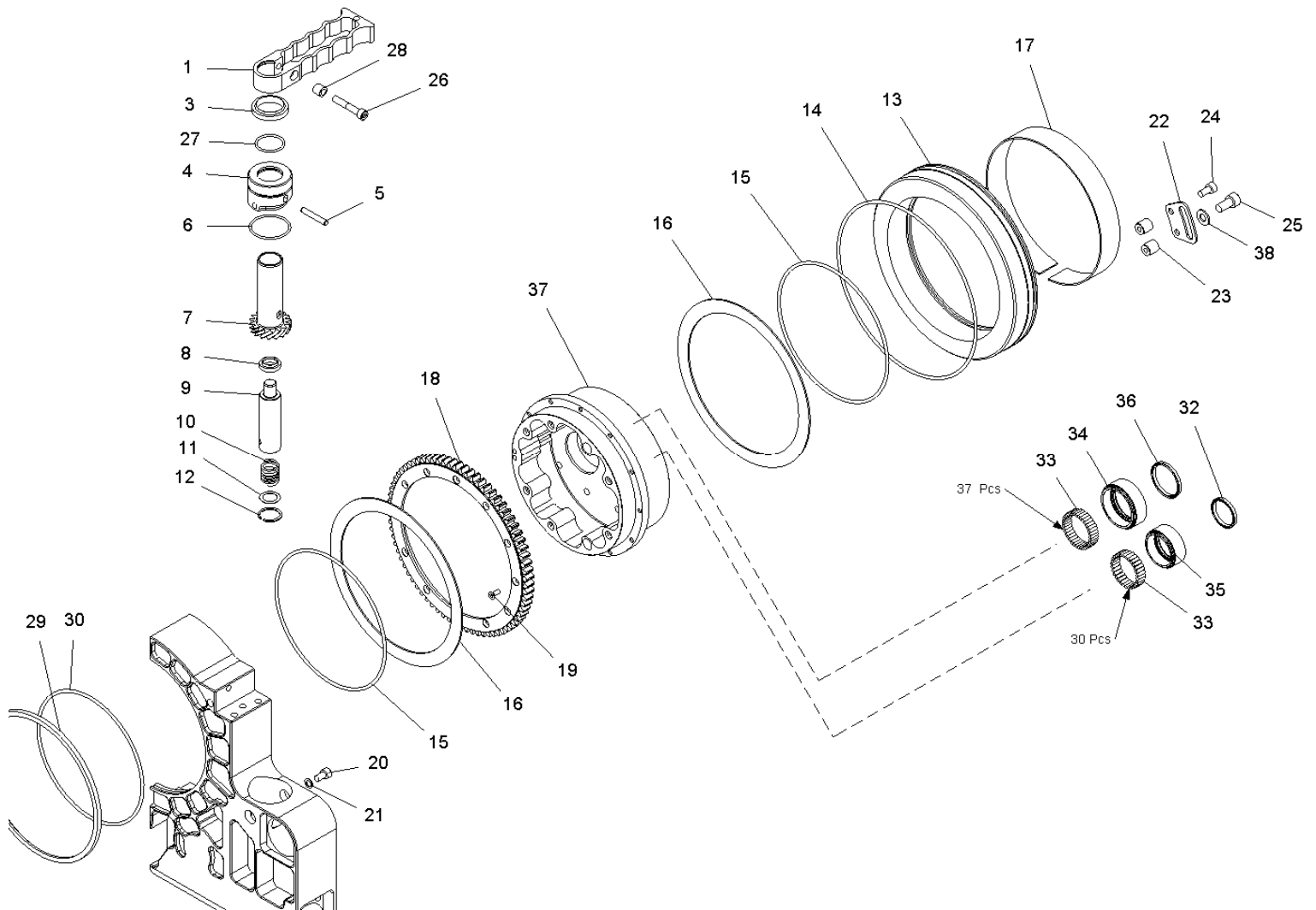


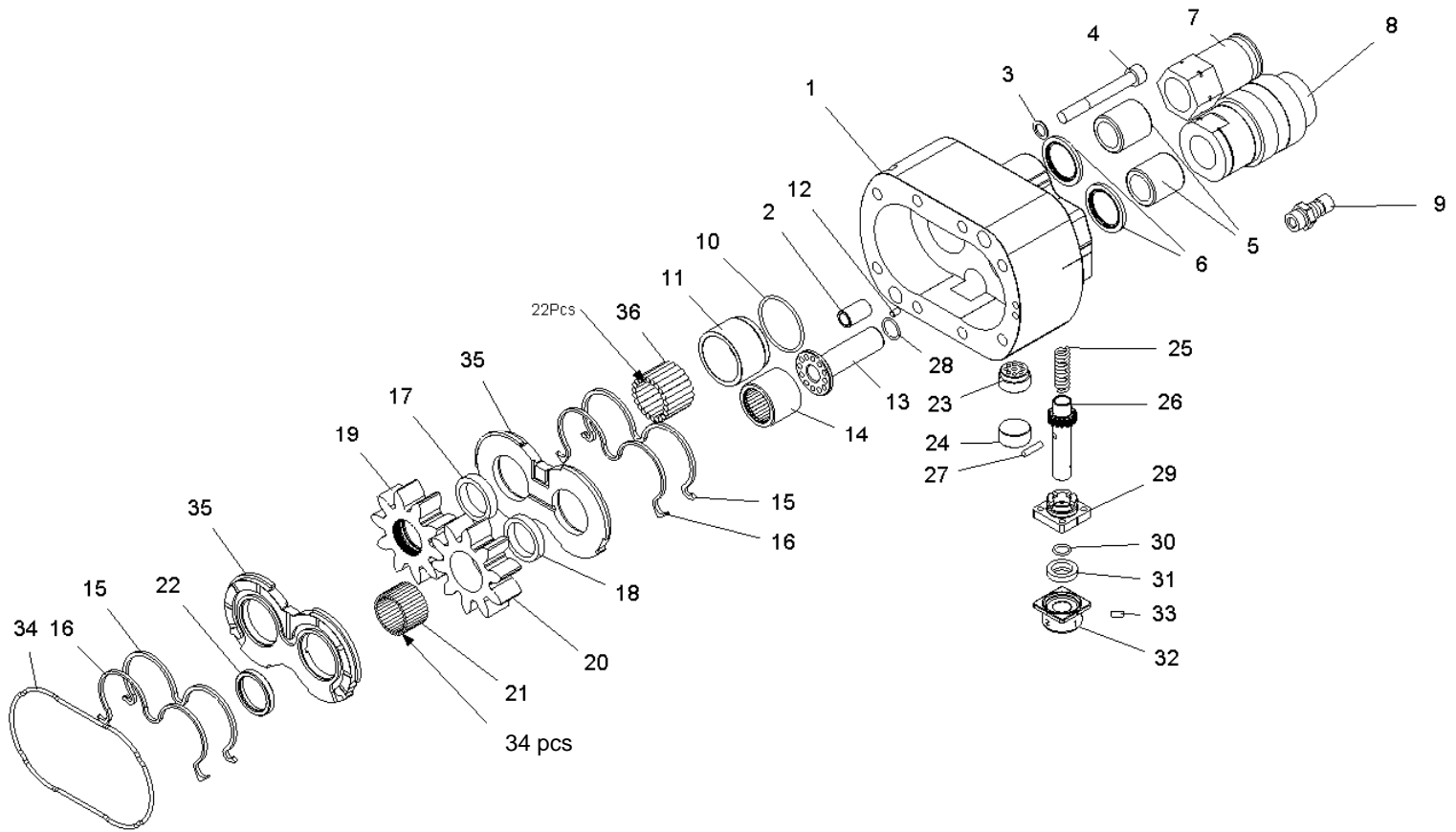
Item No.	Qty	Part Number	Description
8-20-A01	1	56020100	Chassi 6 / 16 8 / 20
8-20-A02	1	34191001	Gear shaft primary 6 - 16 / 8 - 20 cpl.
8-20-A03	2	23206710	Dowty washer 6.7 x 10 x 1
8-20-A04	2	121006016-12.9FZ	Allen screw DIN912 M6x16 12.9Z
8-20-A05	1	35240100	Gear wheel 4:th secondary 6-16/8-20
8-20-A06	1	35230100	Gear wheel 3:rd secondary 6-16/8-20
8-20-A07	1	35220100	Gear wheel 2:nd secondary 6-16/8-20
8-20-A08	1	35210100	Gear wheel 1:st secondary 6-16/8-20
8-20-A09	1	20193100	Axialglidlager 8-20
8-20-A10	1	20756201	Ball Bearing 6201-2RS1
8-20-A11	1	35370100	Intermediate gear armrot. 6-16/8-20
8-20-A12	1	17312350	Cyl. Pin 12 x 35
8-20-A13	1	23120070	O-ring 70 x 2 NBR 70
8-20-A14	1	58290100	Cover oval 6 -16
8-20-A15	1	34160500	Pinion Slip-Clutch 6-16/8-20
8-20-A16	1	35430600	Worm gear friction type clutch
8-20-A17	4	27040100	Plate, slip-clutch outer teeth
8-20-A18	1	27030100-06	Plate, slip-clutch inner teeth T=0.6mm
8-20-A19	2	32243415	Bellev. washer slip clutch 34 x 24 x 1.5
8-20-A20	1	16030200	Washer slip clutch
8-20-A21	1	14100300	Screw Slip-Clutch
8-20-A22	1	207016002	Ballbearing 16002
8-20-A23	1	23115053	O-ring 53 x 1.5 NBR70
8-20-A24	1	58250100	Cover arm-rotation 6-10/12/16, 8-20
8-20-A25	1	35500100	Worm screw
8-20-A26	2	200181104	Axial thrust washer WS 811 04
8-20-A27	1	20082035	Axial needle roller bearing AXK 2035
8-20-A28	1	60010201	Hydraulmotor OML 32
8-20-A29	1	29110100	Tap
8-20-A30	2	23115042	O-ring 42 x 1.5 NBR 70
8-20-A31	1	16290100	Washer, for bearing extraction
8-20-A32	2	20310500	Ball RB 5
8-20-A33	1	58280100	Cover OML-motor 6 - 16 / 8 - 20
8-20-A34	3	121006020-12.9FZ	Allen screw DIN912 M6x20 12.9F
8-20-A35	3	16350100	Seal Washer OML-motor
8-20-A36	3	121005040-12.9FZ	Allen screw DIN912 M5 x 40 12.9FZ
8-20-A37	2	23115007	O-ring 7 x 1.5 NBR 70
8-20-A38	1	20877302	Angular ball bearing 7302 BEP
8-20-A39	6	27030100	Plate, slip-clutch inner teeth
8-20-A40	1	23110040	O-ring 40 x 1 NBR 70
8-20-A41	15	20513010	Needle roller 3.0 x 9.8
8-20-A42	2	22111210	Washer 12 x 18 x 1



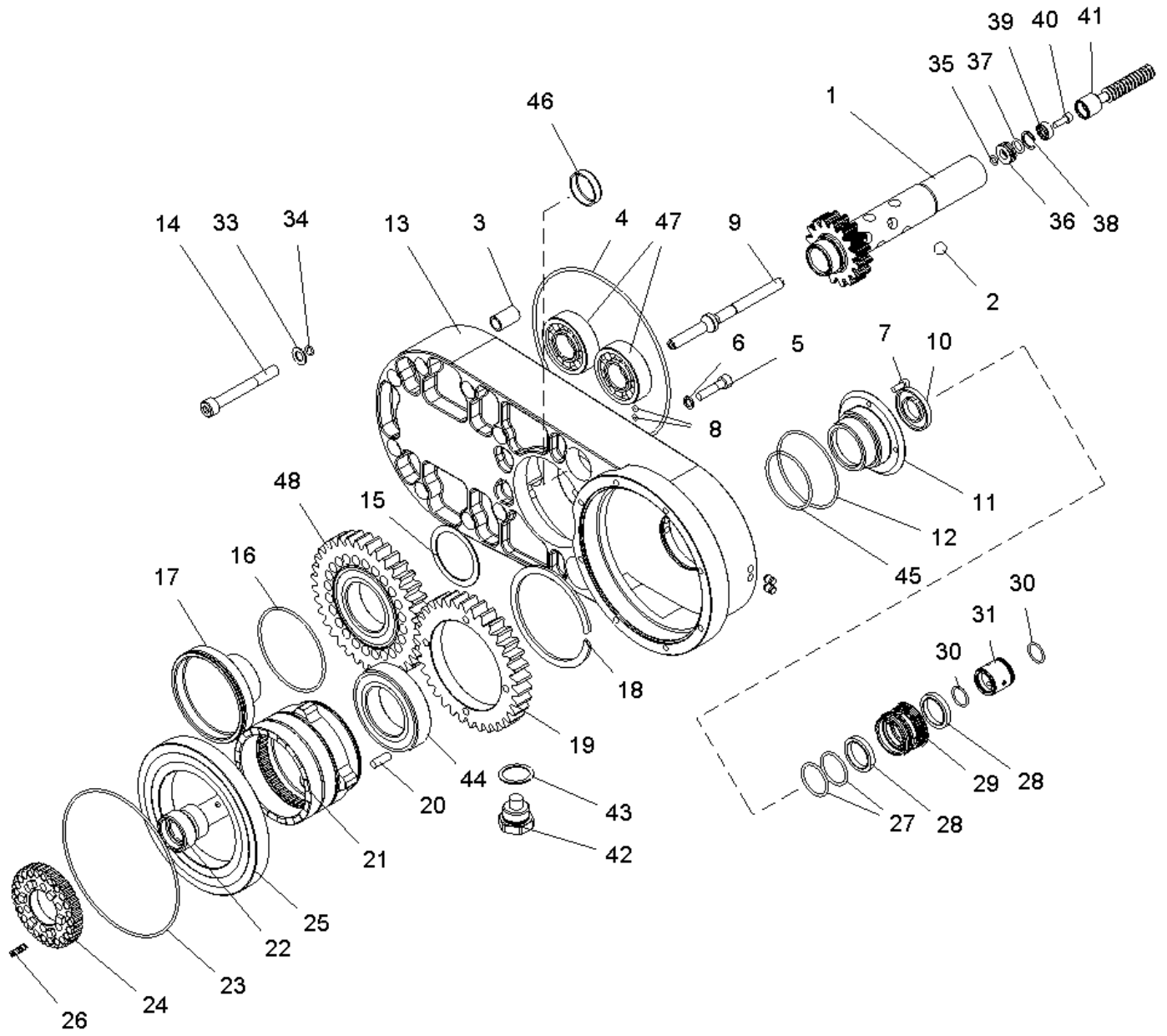
Item No.	Qty	Part Number	Description
8-20-B01	1	56020100	Chassi 6 / 16 8 / 20
8-20-B02	1	34160200	Pinion travel 6-12 6-16 _8 - 20
8-20-B03	1	121004012-12.9Fz	Allen screw DIN912 M4 x 12
8-20-B04	1	58270100	Cover eccentric 6 - 16 / 8 - 20
8-20-B05	1	23120048	O-ring 48 x 2 NBR 70
8-20-B06	1	34080200	Eccentric Shaft Locking 6-16 / 8-20
8-20-B07	1	20492516	Needle roller bushing HK 2516.2RS
8-20-B08	1	24002503204G	Radial Seal 25 x 32 x 4 With dust lip
8-20-B09	8	23506003	Nilos seal
8-20-B10	8	20756003	Ball bearing 6003-2RS1
8-20-B11	4	22111715	Support ring 17 x 24 x 1.5
8-20-B12	4	21300350	Circlip SB 35
8-20-B13	4	45010100	Roller 6 - 12 / 6 - 16
8-20-B14	1	22110810	Support ring 8 x 14 x 1.0
8-20-B15	2	23115042	O-ring 42 x 1.5 NBR 70
8-20-B16	2	16240200	Washer eccentric roller
8-20-B17	2	121008030-12.9FZ	Allen screw DIN 912 M8 x 30 12.9 Fzb
8-20-B18	2	22140100	Spacer eccentric shaft
8-20-B19	2	34080100	Eccentric, Adj. 6-10/12/16, 8-20
8-20-B20	1	121008020-12.9 FZ	Allen screw DIN912 M8 x 20 12.9Fz
8-20-B21	1	16290100	Washer, for bearing extraction
8-20-B22	1	20877302	Angular ball bearing 7302 BEP
8-20-B23	1	35500100	Worm screw
8-20-B24	2	200181104	Axial thrust washer WS 811 04
8-20-B25	1	20082035	Axial needle roller bearing AXK 2035
8-20-B26	1	24002503507	Radial Seal 25 x 35 x 7
8-20-B27	1	58250200	Cover travel Pentrunder
8-20-B28	1	23115053	O-ring 53 x 1.5 NBR70
8-20-B29	1	20756004	Ball bearing 6004-2RS1
8-20-B30	1	22140200	Spacer
8-20-B31	1	35430300	Worm Gear for shear pin ø6
8-20-B32	1	17306350	Cyl. Pin 6 x 35
8-20-B33	1	21203800	Circlip Sga 38 DIN 471
8-20-B34	1	20706201	Ball Bearing 6201-2Z/C3
8-20-B35	1	29110100	Tap
8-20-B36	1	23110040	O-ring 40 x 1 NBR 70
8-20-B37	1	16220100	Washer OML20 6-16
8-20-B38	1	58280100	Cover OML-motor 6 – 16 / 8 - 20
8-20-B39	1	121006020-12.9FZ	Allen screw DIN912 M6x20 12.9F
8-20-B40	1	16350100	Seal Washer OML-motor
8-20-B41	1	121005035-12.9FZ	Allen screw DIN912 M5 x 35 12.9FZ
8-20-B42	2	20310500	Ball RB 5
8-20-B43	1	23115007	O-ring 7 x 1.5 NBR 70
8-20-B44	1	60010101	Hydraulic motor OML 20 cpl.



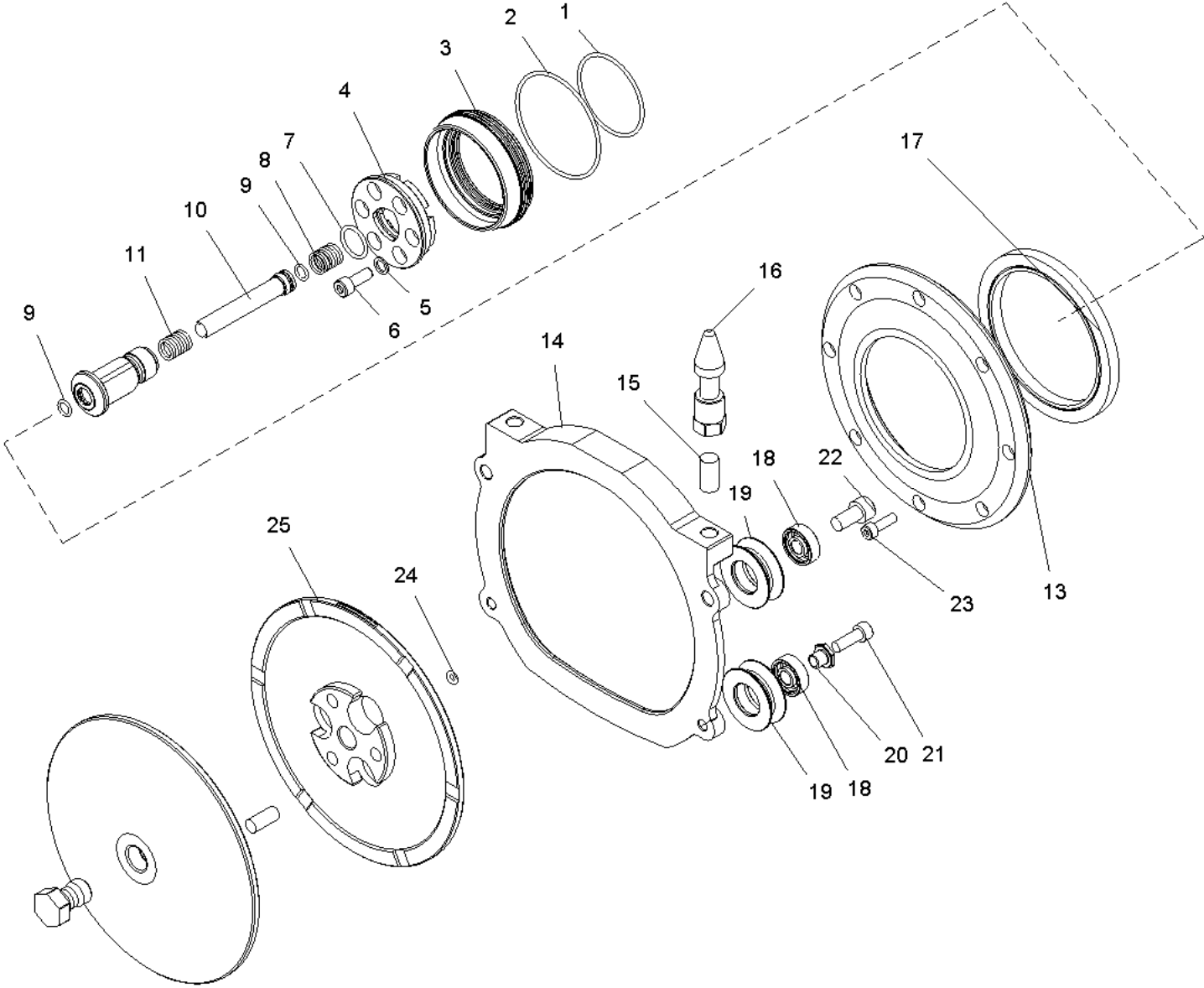
Item No.	Qty	Part Number	Description
8-20-C01	1	53010300	Handle 6 - 16 / 8 - 20 Left
8-20-C02	1	53010400	Handle 6 - 16 / 8 - 20 Right
8-20-C03	2	23092535	Scraper 25 x 35
8-20-C04	2	57230100	Detent housing 6 - 16 / 8 - 20
8-20-C05	2	17305320-S	Cyl. Pin 5 x 32 Spec
8-20-C06	2	23120038	O-ring 38 x 2 NBR 70
8-20-C07	2	34100100	Pinion eccentric rotation
8-20-C08	2	23091220	Scraper ring ASA 12 x 20 x 4 / 6 N
8-20-C09	2	30070200	Button Eccentric Locking 6-16 / 8-20
8-20-C10	2	32151420	Spring 1.5 x 14 x 20
8-20-C11	2	22111403	Support ring PS 14 x 20 x 0.3
8-20-C12	2	21402000	Circlip Sgh 20
8-20-C13	1	22010100	Bearing Ring Arm 6 - 16 / 8 - 20
8-20-C14	1	23130185	O-ring 185 x 3 NBR 70
8-20-C15	2	23130150	O-ring 150 x 2 NBR 70
8-20-C16	2	16010200	Axial bearing 178 x 150.2 x 1.5
8-20-C17	1	2021025000	Bearing strip 25 x 470 x 1.5
8-20-C18	1	35360100	Gear ring 6-16 / 8 - 20
8-20-C19	12	121404010	C/S Torx screw M4 x 10
8-20-C20	1	121006010-8.8FZ	Allen screw DIN 912 M6x10 8.8Z
8-20-C21	1	23206710	Dowty washer 6.7 x 10 x 1
8-20-C22	1	28010100	Locking washer bearing ring 6-16 / 8 - 20
8-20-C23	2	26280300	Nut bearing ring
8-20-C24	2	121006012-8.8FZ	Allen screw DIN912 M6 x 12 8.8F
8-20-C25	1	121008016-12.9FZ	Allen screw DIN912 M8x16 12.9FZ
8-20-C26	2	121006035-12.9FZ	Allen screw DIN912 M6x35 12.9Z
8-20-C27	2	23120025	O-ring 25 x 2 NBR 70
8-20-C28	2	23161100	Spacer lever stop 6 - 16 / 8 - 20
8-20-C29	1	16010400	Axial support ring 160x150x4.9
8-20-C30	1	23130144	O - Ring 144 x 3 NBR 70
8-20-C31	1	56020100	Chassi 6 - 16 / 8 - 20
8-20-C32	1	24390100	Seal high pressure
8-20-C33	67	20513010	Needle roller 3.0 x 9.8
8-20-C34	1	20320400	Bearing cup mainshaft 6-16 / 8-20
8-20-C35	1	20320500	Bearing cup layshaft 6-16/8-20
8-20-C36	1	24393300	Radial Seal high pressure 33 mm
8-20-C37	1	56030200	Gearbox housing 6 - 16 / 8 - 20
8-20-C38	1	16400800	Plain washer 8.4 x 16 x 1.6 /M8



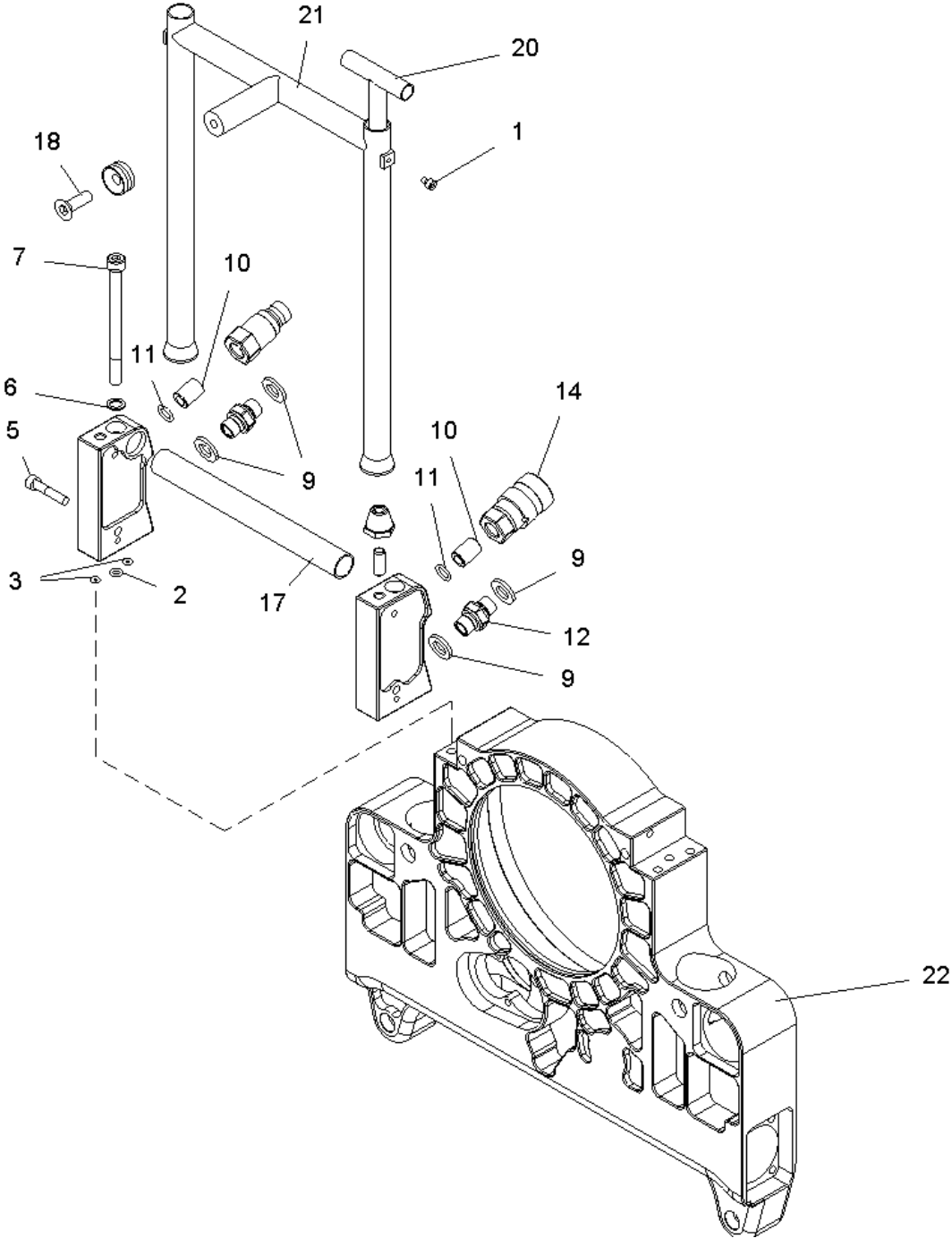
Item No.	Qty	Part Number	Description
1	1	57180200	Motor housing 6 - 16 / 8 - 20 Ver.2
2	1	26280200	Dowel 8.5 x 12 x 19.75
3	8	23208713	Dowty washer 8.7 x 13 x 1
4	8	121008065-12.9FZ	Allen screw DIN912 M8 x 65 12.9 Fzb
5	2	50030100	Stud 3/4" BSPP
6	3	23200034	Dowty washer 3/4"
7	1	38040100	Coupling Male 3/4" - BSPP
8	1	38090100	Coupling Bruning Female 3/4" BSPP
9	1	19240100	Coupling male 1.4 Tema 1300
10	1	23120041	O-ring 41 x 2 NBR 70
11	1	20320100	Bearing housing m.housing 6-16/8-20
12	1	17404060	Split pin 4 x 6
13	1	26240100	Sleeve gear shift rack 6 - 16
14	1	20472526	Needle roller bushing
15	2	25420100	Seal hydraulic motor (rubber)
16	2	25420200	Seal hydraulic motor (rubber)
17	1	22112507	Support-ring hyd. m. 25x32x6.7 6-16
18	1	22112505	Support-ring hyd. m. 25x32x5.7 6-16
19	1	35310100	Gear wheel hyd. splines 6-16/8-20
20	1	35320100	Gear wheel hyd motor 6-16/8-20
21	34	20512520	Needle roller NRA 2.5 x 19.8
22	1	22112504	Support-ring angled 6-16 / 8-20
23	1	60500100	Check valve motor housing 6-16/8-20
24	1	25070800	Plug 1/2" BSPT
25	1	32160831	Spring 1.6 x 8 x 31.5 ID=6.4
26	1	59440100	Index pinion 6 - 16 / 8 - 20
27	1	17504160	Roll pin 4 x 16
28	1	23115016	O-ring 16 x 1.5 NBR 70
29	1	57230200	Index housing 6 - 16 / 8 - 20
30	1	23115012	O-ring 12 x 1.5 NBR 70
31	1	23091220	Scraper 12 x 20
32	1	59550100	Index knob 6 - 16 / 8 - 20
33	1	122904008	Grub screw MS6SS M4x8
34	1	23125105	O-ring 105 x 2.5 NBR 70
35	2	60220101	Pressure plate bronz sharp edge cpl
36	22	20514024	Needle roller NRB 4.0. x 23.8



Item No.	Qty	Part Number	Description
8-20-E01	1	34200300	Gear shaft secondary 8 - 20
8-20-E02	9	20310900	Ball RB 9
8-20-E03	1	26280200	Dowel 8.5 x 12 x 19.75
8-20-E04	1	23125144	O-ring 144 x 2.5 NBR 70
8-20-E05	1	121006025-12.9FZ	Allen screw DIN912 M6x25 12.9Z
8-20-E06	1	23206710	Dowty washer 6.7 x 10 x 1
8-20-E07	4	121004010-12.9FZ	Allen screw DIN912 M4x10 12.9Z
8-20-E08	2	23115005	O-ring 5 x 1.5 NBR 70
8-20-E09	1	59330100	Shift rod 6 - 16 / 8 - 20
8-20-E10	1	23901703404G	Seal 17 x 34 x 4 rubber
8-20-E11	1	34040400	Swivel housing Stainless Steel
8-20-E12	1	23125064	O-ring 64 x 2.5 NBR 70
8-20-E13	1	56010300	Arm 8-20
8-20-E14	1	121008065-12.9FZ	Allen screw DIN912 M8x65 12.9Z
8-20-E15	1	22114010	Support Ring PS 40 x 50 x 1.0
8-20-E16	1	23120070	O-ring 70 x 2 NBR 70
8-20-E17	1	34210200	Intermediate shaft arm 6-16 / 8-20
8-20-E18	1	21107500	Circlip SW 75
8-20-E19	1	35350300	Gear wheel spindle 8 - 20 / 6 - 16
8-20-E20	1	17306160	Cyl. Pin 6 x 16
8-20-E21	1	34280300	Spindle 8-20 / 6-16
8-20-E22	1	14010100	Screw quick disconnect coupling
8-20-E23	1	23120122	O-ring 122 x 2 NBR 70
8-20-E24	1	16180200	Thread washer with dogs 6-10 / 6-16
8-20-E25	1	207016016	Ball Bearing 16016 / C3
8-20-E26	6	32090515	Compression spring 0.9 x 5.4 x 15
8-20-E27	2	23120028	O-ring 28 x 2 NBR 70
8-20-E28	2	24002202804	Seal, water 22 x 28 x 4
8-20-E29	1	57210100	Waterseal Housing 6-10/12/16, 8-20
8-20-E30	2	23115017	O-ring 17 x 1.5 NBR 70
8-20-E31	1	26250200	Wear-sleeve Watersealing Pentrunder
8-20-E32	2	25010100	Plug MB 800 - 060
8-20-E33	1	22110810	Support Ring 8 x 14 x 1.0
8-20-E34	1	23112008	O-ring 8 x 1.25 NBR 70
8-20-E35	1	23115008	O-ring 8 x 1.5 NBR 70
8-20-E36	1	33010100	O-ring Bushing
8-20-E37	1	23120012	O-ring 12 x 2 NBR 70
8-20-E38	1	21300130	Circlip SB 13
8-20-E39	1	20700624	Ball bearing 624-2Z
8-20-E40	1	121004012-12.9Fz	Allen screw DIN912 M4x12 12.9Z
8-20-E41	1	59350100	Gear shift rack 6 - 16 / 8 - 20
8-20-E42	1	25032015	Magnetic plug M20 x 1.5
8-20-E43	1	16352026	Alu-washer 20 x 26 x 1.5
8-20-E44	1	20756008	Ball Bearing 6008-2RS1/C3
8-20-E45	1	23120048	O-ring 48 x 2 NBR 70
8-20-E46	2	25110200	Plug, Arm 6 - 16 / 8 - 20 27 mm
8-20-E47	2	20160204	Cyl. roller bearing NU 204 ECP
8-20-E48	1	35370701	Intermediate gear arm 8 - 20 cpl



Item No.	Qty	Part Number	Description
8-20-F01	1	23120050	O-ring 50 x 2 NBR 70
8-20-F02	1	23120064	O-ring 64 x 2 NBR 70
8-20-F03	1	40040100	Centering cone Pentrunder
8-20-F04	1	16230200	Washer, int. triangular with dogs
8-20-F05	6	23206710	Dowty washer 6.7 x 10 x 1
8-20-F06	6	121006016-12.9FZ	Allen screw DIN912 M6x16 12.9Z
8-20-F07	1	23120020	O-ring 20 x 2 NBR 70
8-20-F08	1	32150915	Spring 1.5 x 9 x 15
8-20-F09	2	23115010	O-ring 10 x 1.5 NBR 70
8-20-F10	1	50070100	Tube water feed 6-10/12, 6-16, 8-20
8-20-F11	1	32121015	Compression spring 1.2 x 10 x 15
8-20-F12	1	14010200	Pull stud 6-10/12/16, 8-20
8-20-F13	1	42070100	Flange Blade-guard holder 8 - 20
8-20-F14	1	42020600	Flange Blade-guard holder 8 - 20
8-20-F15	2	14080800	Stud M10 x 20
8-20-F16	2	40070300	Guide cone int. M10
8-20-F17	1	24008010007	Seal 80 x 100 x 7 with dust lip
8-20-F18	4	20750608	Ball Bearing 608-2RS1
8-20-F19	4	45010400	Roller blade guard holder 8-20
8-20-F20	2	26080100	Eccentric nut 8 - 20
8-20-F21	2	121006018-12.9FZ	Allen screw DIN912 M6x16 12.9Z
8-20-F22	1	121008016-12.9FZ	Allen screw DIN912 M8x16 12.9Z
8-20-F23	8	121005016-12.9FZ	Allen screw DIN912 M5x16 12.9Z
8-20-F24	1	23120008	O-ring 8 x 2 NBR 70
8-20-F25	1	42050100	Blade flange, inner 60 mm bore
8-20-F26	3	17308180-RF	Cyl. Pin 8 x 18 Stainless
8-20-F27	1	42060100	Blade flange outer 60mm & 1-3/8"
8-20-F28	1	14100100	Centre bolt M14x1.5 H



Item No.	Qty	Part Number	Description
8-20-G01	2	121004006-8.8Fzb	Allen screw DIN912 M4x6 8.8 Z
8-20-G02	2	23120009	O-ring 9 x 2 NBR 70
8-20-G03	4	23120007	O-ring 7 x 2 NBR 70
8-20-G04	2	14080700	Stud M8 x 20 10.9
8-20-G05	2	121006030-12.9FZ	Allen screw DIN912 M6x30 12.9Z
8-20-G06	2	23208713	Dowty washer 8.7 x 13 x 1
8-20-G07	2	121008100-12.9FZ	Allen screw DIN912 M8x100 12.9 Z
8-20-G08	2	40070100	Guide cone M8
8-20-G09	4	23200014	Dowty washer 1/4"
8-20-G10	2	50010100	Stud 1/4" BSPP
8-20-G11	2	23120014	O-ring 14 x 2 NBR 70
8-20-G12	2	19230404	Fitting 1/4" - 1/4" BSPP
8-20-G13	2	38120100	Hydr. Coupling flat-face male 1/4"
8-20-G14	2	38130100	Hydr. Coupling flat-face fem. 1/4"
8-20-G15	1	18010200	Manifold, Left 6 - 16 / 8 - 20
8-20-G16	1	18010100	Manifold Right 6 - 16 / 8 - 20
8-20-G17	1	50190100	Tube, Handle 6 - 16 / 8 - 20
8-20-G18	1	123008025-10.9FZ	C/S Allen Screw DIN7991 M8x25 10.9Z
8-20-G19	1	16370100	Guide bushing, C-profile
8-20-G20	1	50210500	T-screw blade guard holder
8-20-G21	1	43210600	Frame blade guard holder less acces
8-20-G22	1	56020100	Chassis 6 - 16 / 8 - 20