

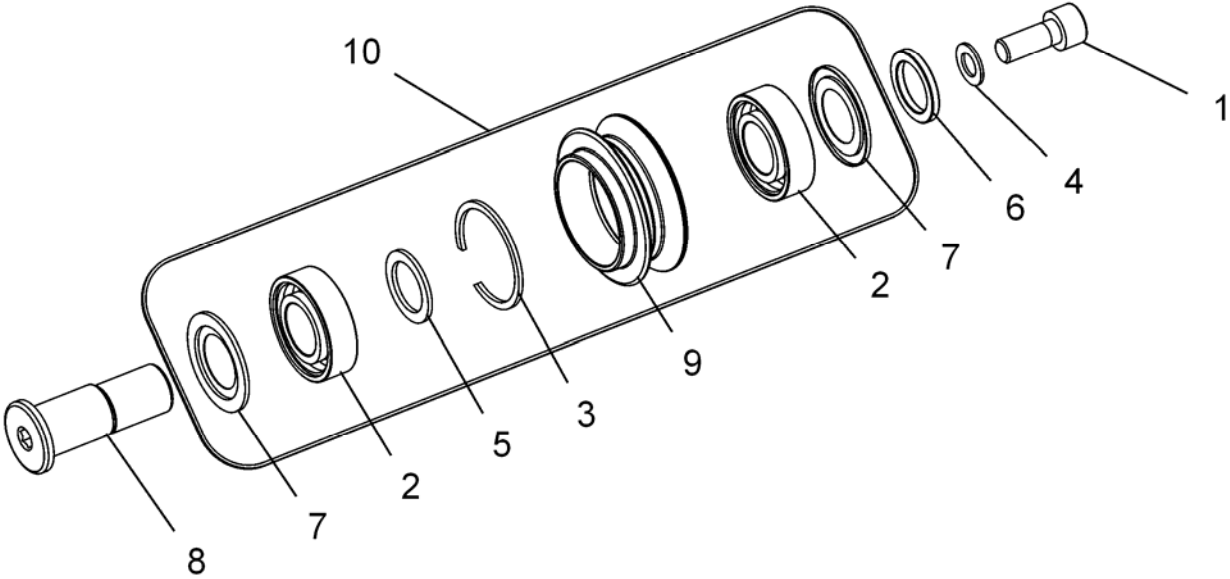
Spare parts list Pentrunder 8-20HF



Contents

Lower roller assembly4
Upper roller assembly6
Chassi & Arm8
Gearbox12
Travel pinion assembly14
24 V DC arm motor16
24 V DC travel motor18
DC-motor covers assembly20
Arm slip clutch.....24
Slip clutch26
Spindle28
Water seal assembly30
Blade guard rotary flange32

Lower roller assembly



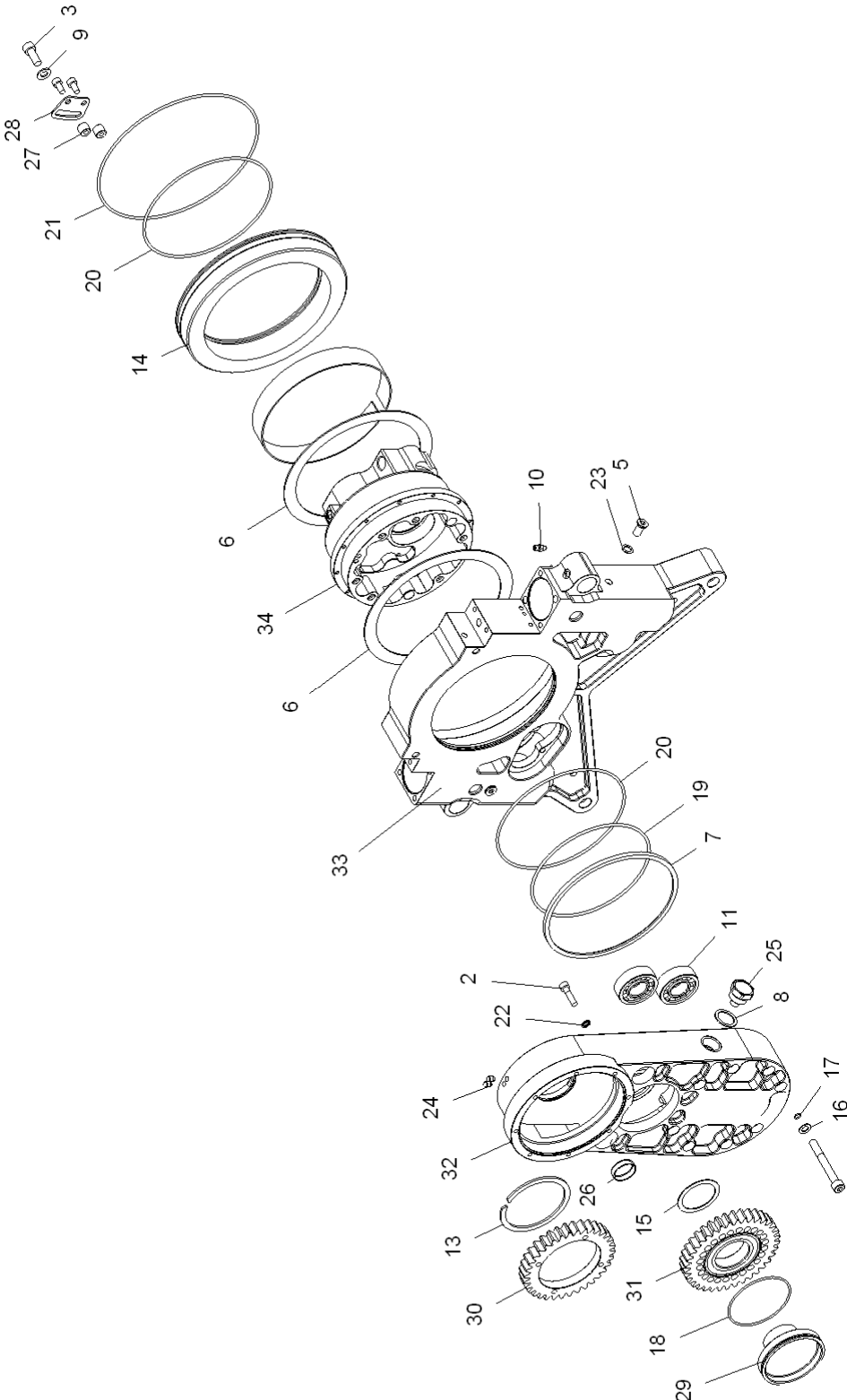
Lower roller assembly

| Pos. | Qty | Part number | Description |
|-------------|------------|--------------------|--|
| 8-20HF-A1 | 1 | 121008020-12.9FZ | Allen screw DIN912 M8x20 12.9Z |
| 8-20HF-A2 | 2 | 20756003 | Ball bearing 6003-2RS1 |
| 8-20HF-A3 | 1 | 21300350 | Circlip SB 35 |
| 8-20HF-A4 | 1 | 22110810 | Support Ring 8 x 14 x 1 |
| 8-20HF-A5 | 1 | 22111715 | Support ring 17 x 24 x 1.5 |
| 8-20HF-A6 | 1 | 22140100 | Spacer eccentric shaft |
| 8-20HF-A7 | 2 | 23506003 | Nilos seal 6003 AV |
| 8-20HF-A8 | 1 | 34080100 | Eccentric, Adjustable 6-10 6-16 8-20 |
| 8-20HF-A9 | 1 | 45010100 | Roller 6-10/12, 6-16, 8-20 Roller upper and lower cpl |
| 8-20HF-A10 | | 45010101 | 4 pcs needed for one saw |

Upper roller assembly

| Pos. | Qty | Part number | Description |
|------------|-----|-------------------|--|
| 8-20HF-B1 | 1 | 121006050-SPEC | Allen screw M6 x 50 shortened to 31.5 mm |
| 8-20HF-B2 | 1 | 121008020-12.9 FZ | Allen screw DIN912 M8 x 20 12.9Fz |
| 8-20HF-B3 | 2 | 123008025-10.9FZ | C/S Allen Screw DIN7991 M8x25 10.9Z |
| 8-20HF-B4 | 1 | 16240200 | Washer eccentric roller |
| 8-20HF-B5 | 2 | 17304100 | Cyl. Pin 4 x 10 |
| 8-20HF-B6 | 2 | 2036202315 | Bushing 20x23x15 |
| 8-20HF-B7 | 2 | 20756003 | Ball bearing 6003-2RS1 |
| 8-20HF-B8 | 1 | 21300350 | Circlip SB 35 |
| 8-20HF-B9 | 1 | 22102009 | Spacer washer 20 x 28 x 0.9 |
| 8-20HF-B10 | 1 | 22111715 | Support ring 17 x 24 x 1.5 |
| 8-20HF-B11 | 2 | 23506003 | Nilos seal 6003 AV |
| 8-20HF-B12 | 1 | 28010200 | Lock plate 6 - 10 / 6 - 12 |
| 8-20HF-B13 | 1 | 32120720 | Compression spring 1.2x7x20 |
| 8-20HF-B14 | 1 | 34080300 | Shaft Eccentric Locking 6-10/12 +HF |
| 8-20HF-B15 | 1 | 45010100 | Roller 6-10/12, 6-16, 8-20 Roller upper and lower cpl |
| 8-20HF-B16 | | 45010101 | 4 pcs needed for one saw |
| 8-20HF-B17 | 1 | 47010200 | Plunger handle 6-10 / 6-12 |
| 8-20HF-B18 | 1 | 53010200 | Handle 6 - 10/12 |
| 8-20HF-B19 | 1 | 53010501 | Handle 6-10/12 and HF-saws cpl |
| 8-20HF-B20 | 1 | 54030100 | Lever-arm 6 - 10/12 |

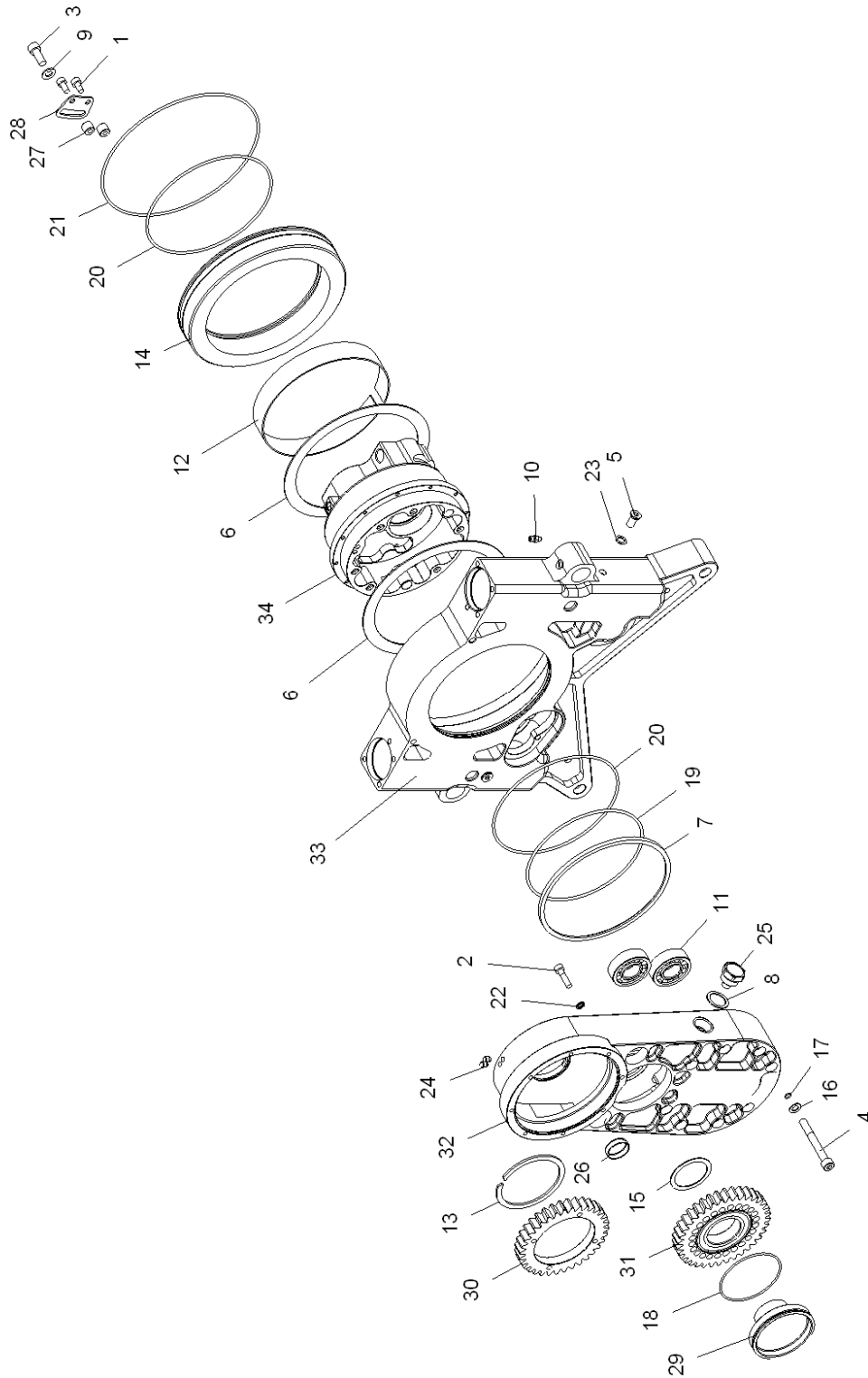
Chassi & Arm



Chassi & Arm

| Pos. | Qty | Part number | Description |
|-------------|------------|--------------------|---|
| 8-20HF-C1 | 2 | 121006012-8.8FZ | Allen screw DIN912 M6 x 12 8.8F |
| 8-20HF-C2 | 4 | 121006025-12.9FZ | Allen screw DIN912 M6 x 25 12.9Fz |
| 8-20HF-C3 | 1 | 121008016-12.9FZ | Allen screw DIN912 M8x16 12.9FZ |
| 8-20HF-C4 | 8 | 121008065-12.9FZ | Allen screw DIN912 M8 x 65 12.9 Fzb |
| 8-20HF-C5 | 4 | 121908016-10.9FZ | Allen screw extra low head M8 x 16 Fz |
| 8-20HF-C6 | 2 | 16010200 | Axial bearing 178 x 150.2 x 1.5 |
| 8-20HF-C7 | 1 | 16010400 | Axial bearing washer |
| 8-20HF-C8 | 1 | 16352026 | Washer Alu 20 x 26 x 1.5 |
| 8-20HF-X9 | 1 | 16400800 | Plain washer 8.4 x 16 x 1.6 /M8 |
| 8-20HF-C10 | 2 | 19930261 | Grease nipple M6 x 1 |
| 8-20HF-C11 | 2 | 20160204 | Cyl. Roller bearing NU 204 ECP |
| 8-20HF-C12 | 1 | 2021025000 | Bearing strip 25 x 470 x 1.5 |
| 8-20HF-C13 | 1 | 21107500 | Circlip SW 75 |
| 8-20HF-C14 | 1 | 22010100 | Bearing Ring Arm 6 - 16 / 8- 20 |
| 8-20HF-C15 | 1 | 22114010 | Spacer PS 40 x 50 x 1 |
| 8-20HF-C16 | 8 | 22110810 | Support Ring 8 x 14 x 1 |
| 8-20HF-C17 | 8 | 23112008 | O-ring 8 x 1.25 NBR 70 |
| 8-20HF-C18 | 1 | 23120070 | O-ring 70 x 2 NBR 70 |
| 8-20HF-C19 | 1 | 23130144 | O-ring 144 x 3 NBR 70 |
| 8-20HF-C20 | 2 | 23130150 | O-ring 150 x 3 NBR 70 |
| 8-20HF-C21 | 1 | 23130185 | O-ring 185 x 3 NBR 70 |
| 8-20HF-C22 | 4 | 23206710 | Dowty washer 6.7 x 10 x 1 M6 |
| 8-20HF-C23 | 4 | 23208713 | Dowty washer 8.7 x 13 x 1 M8 |
| 8-20HF-C24 | 2 | 25010100 | Plug MB 800-060 |
| 8-20HF-C25 | 1 | 25032015 | Magnet plug M20 x 1.5 |
| 8-20HF-C26 | 2 | 25110200 | Plug, Arm 6 - 16 / 8 - 20 27 mm |
| 8-20HF-C27 | 2 | 26280500 | Nut 6-8, 6-16, 8-20 |
| 8-20HF-C28 | 1 | 28010100 | Locking washer bearing ring 6-16 / 8 - 20 |
| 8-20HF-C29 | 1 | 34210200 | Intermediate shaft arm 6-16 |
| 8-20HF-C30 | 1 | 35350300 | Gear wheel spindle 6-16 / 8-20 |
| 8-20HF-C31 | 1 | 35370701 | Intermediate gear 8 - 20 cpl |
| 8-20HF-C32 | 1 | 56010300 | Arm 8 - 20 |
| 8-20HF-C33 | 1 | 56020500 | Chassis 8 - 20 HF |
| 8-20HF-C34 | 1 | 56030400 | Gearbox housing 8 - 20 HF |

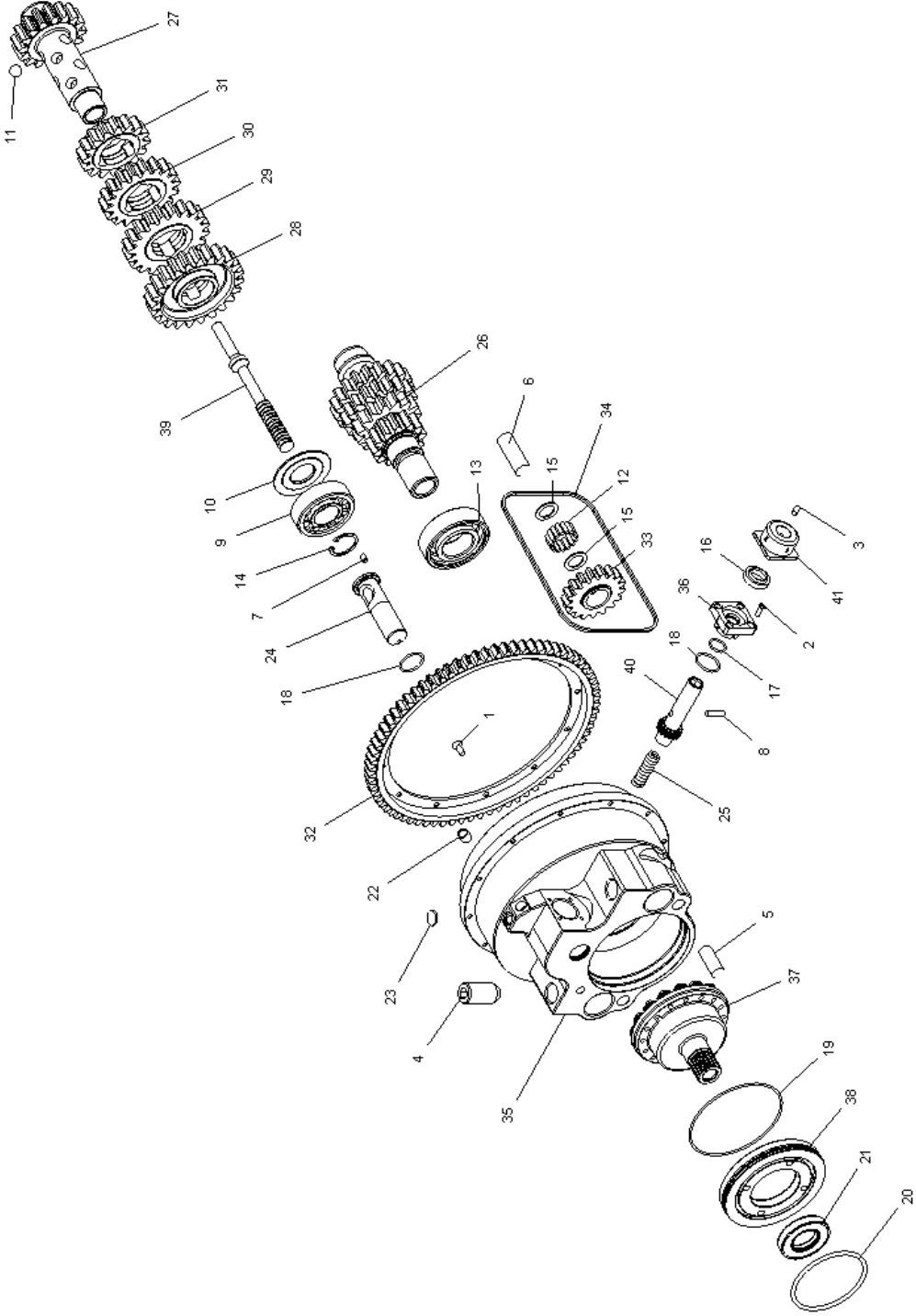
Chassi & Arm



Chassi & Arm

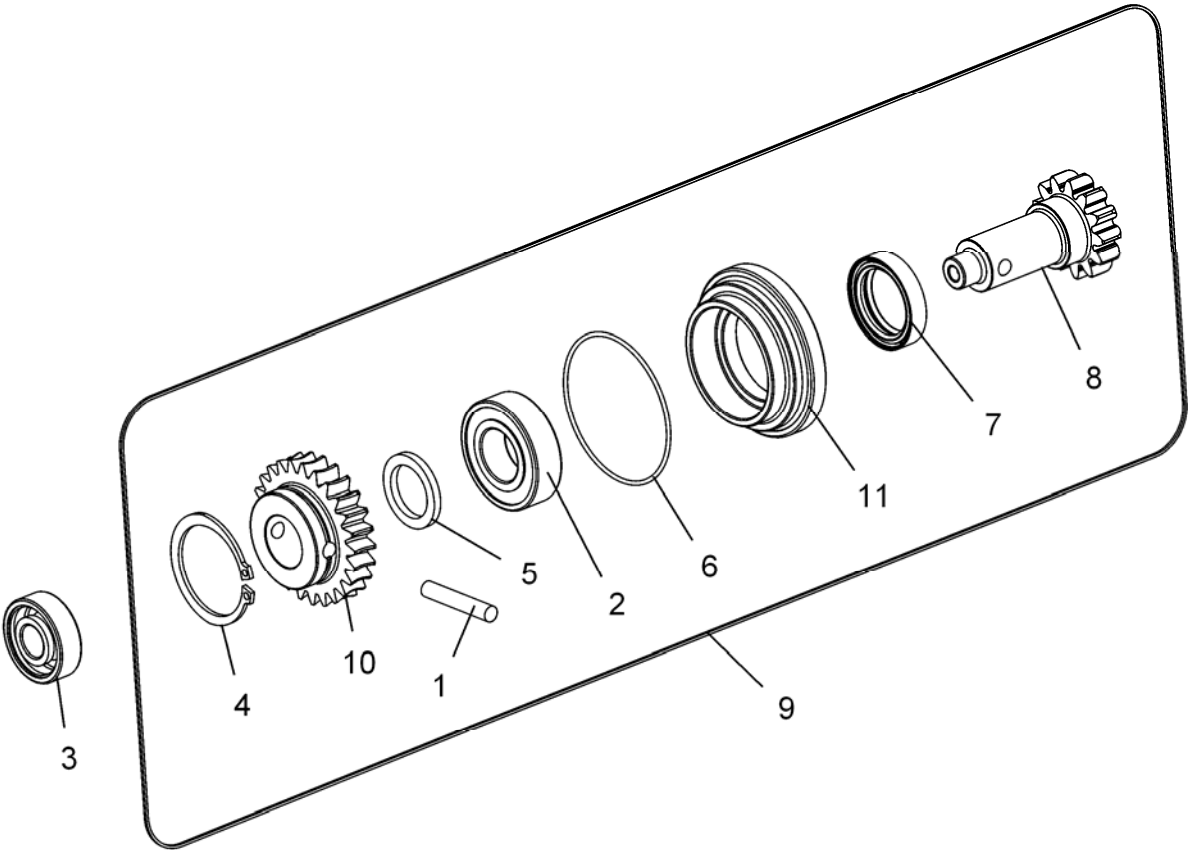
| Pos. | Qty | Part number | Description |
|--------------|-----|------------------|---|
| 8-20HF-C2-1 | 2 | 121006012-8.8FZ | Allen screw DIN912 M6 x 12 8.8F |
| 8-20HF-C2-2 | 4 | 121006025-12.9FZ | Allen screw DIN912 M6 x 25 12.9Fz |
| 8-20HF-C2-3 | 1 | 121008016-12.9FZ | Allen screw DIN912 M8x16 12.9FZ |
| 8-20HF-C2-4 | 8 | 121008065-12.9FZ | Allen screw DIN912 M8 x 65 12.9 Fzb |
| 8-20HF-C2-5 | 4 | 121908016-10.9FZ | Allen screw extra low head M8 x 16 Fz |
| 8-20HF-C2-6 | 2 | 16010200 | Axial bearing 178 x 150.2 x 1.5 |
| 8-20HF-C2-7 | 1 | 16010400 | Axial bearing washer |
| 8-20HF-C2-8 | 1 | 16352026 | Washer Alu 20 x 26 x 1.5 |
| 8-20HF-C2-9 | 1 | 16400800 | Plain washer 8.4 x 16 x 1.6 /M8 |
| 8-20HF-C2-10 | 2 | 19930261 | Grease nipple M6 x 1 |
| 8-20HF-C2-11 | 2 | 20160204 | Cyl. Roller bearing _NU 204 ECP |
| 8-20HF-C2-12 | 1 | 2021025000 | Bearing strip 25 x 470 x 1.5 |
| 8-20HF-C2-13 | 1 | 21107500 | Circlip SW 75 |
| 8-20HF-C2-14 | 1 | 22010100 | Bearing Ring Arm 6 - 16 / 8- 20 |
| 8-20HF-C2-15 | 1 | 22114010 | Spacer PS 40 x 50 x 1 |
| 8-20HF-C2-16 | 8 | 22110810 | Support Ring 8 x 14 x 1 |
| 8-20HF-C2-17 | 8 | 23112008 | O-ring 8 x 1.25 NBR 70 |
| 8-20HF-C2-18 | 1 | 23120070 | O-ring 70 x 2 NBR 70 |
| 8-20HF-C2-19 | 1 | 23130144 | O - Ring 144 x 3 NBR 70 |
| 8-20HF-C2-20 | 2 | 23130150 | O-ring 150 x 3 NBR 70 |
| 8-20HF-C2-21 | 1 | 23130185 | O-ring 185 x 3 NBR 70 |
| 8-20HF-C2-22 | 4 | 23206710 | Dowty washer 6.7 x 10 x 1 M6 |
| 8-20HF-C2-23 | 4 | 23208713 | Dowty washer 8.7 x 13 x 1 M8 |
| 8-20HF-C2-24 | 2 | 25010100 | Plug MB 800-060 |
| 8-20HF-C2-25 | 1 | 25032015 | Magnet plug M20 x 1.5 |
| 8-20HF-C2-26 | 2 | 25110200 | Plug, Arm 6 - 16 / 8 - 20 27 mm |
| 8-20HF-C2-27 | 2 | 26280500 | Nut 6-8, 6-16, 8-20 |
| 8-20HF-C2-28 | 1 | 28010100 | Locking washer bearing ring 6-16 / 8 - 20 |
| 8-20HF-C2-29 | 1 | 34210200 | Intermediate shaft arm 6-16 |
| 8-20HF-C2-30 | 1 | 35350300 | Gear wheel spindle 6 - 16 / 8-20 |
| 8-20HF-C2-31 | 1 | 35370701 | Intermediate gear 8 - 20 cpl |
| 8-20HF-C2-32 | 1 | 56010300 | Arm 8 - 20 |
| 8-20HF-C2-33 | 1 | 56020900 | Chassis 8 - 20 HF + IQ |
| 8-20HF-C2-34 | 1 | 56030400 | Gearbox housing 8 - 20 HF |

Gearbox



| Gearbox Pos. | Qty | Part number | Description |
|---------------------|------------|--------------------|--|
| 8-20HF-D1 | 12 | 121404010 | C/S Torx screw M4 x 10 |
| 8-20HF-D2 | 4 | 121635012 | Screw Torx M3.5 x 12 |
| 8-20HF-D3 | 1 | 122904008 | Grub screw MS6SS M4 x 8 |
| 8-20HF-D4 | 2 | 14220100 | Coupling Screw |
| 8-20HF-D5 | 2 | 17310250 | Cyl. pin 10 x 25 |
| 8-20HF-D6 | 1 | 17312350 | Cyl. pin 12 x 35 |
| 8-20HF-D7 | 1 | 17404060 | Split pin Ø 4 x 6 |
| 8-20HF-D8 | 1 | 17504160 | Roll pin 4 x 16 |
| 8-20HF-D9 | 1 | 20150204 | Cyl. roller bearing NJ 204 ECP |
| 8-20HF-D10 | 1 | 20193300 | Axial bearing 8 - 20 HF |
| 8-20HF-D11 | 12 | 20310900 | Ball RB 9 |
| 8-20HF-D12 | 15 | 20513010 | Needle roller Ø 3 x 9.8 |
| 8-20HF-D13 | 1 | 20756205 | Ball bearing 6205-2RS1/C3 |
| 8-20HF-D14 | 1 | 21402200 | Circlip Sgh 22 |
| 8-20HF-D15 | 1 | 22111210 | Washer 12 x 18 x 1 |
| 8-20HF-D16 | 1 | 23091220 | Scraper 12 x 20 x 4 |
| 8-20HF-D17 | 1 | 23115012 | O-ring 12 x 1.5 NBR 70 |
| 8-20HF-D18 | 2 | 23115016 | O-ring 16 x 1.5 NBR 70 |
| 8-20HF-D19 | 1 | 23115075 | O-ring 75 x 1.5 NBR 70 |
| 8-20HF-D20 | 1 | 23130059 | O-ring 59 x 3 NBR 70 |
| 8-20HF-D21 | 1 | 24002004007 | Seal 20x 40 x 7 with dust lip |
| 8-20HF-D22 | 1 | 25010200 | Plug MB 800-080 |
| 8-20HF-D23 | 1 | 25110800 | Plug 7/16" |
| 8-20HF-D24 | 1 | 26240200 | Protective sleeve gear shift rack 8-20HF |
| 8-20HF-D25 | 1 | 32160831 | Compression spring 1.6 x 8 x 31.5 ID = 6.4 |
| 8-20HF-D26 | 1 | 34190601 | Primary shaft 8 - 20 HF |
| 8-20HF-D27 | 1 | 34200500 | Gear shaft secondary 8-20 HF |
| 8-20HF-D28 | 1 | 35210100 | Gear wheel 1:st secondary 6 - 16 / 8 - 20 |
| 8-20HF-D29 | 1 | 35220100 | Gear wheel 2:nd secondary 6 - 16 / 8 - 20 |
| 8-20HF-D30 | 1 | 35230100 | Gear wheel 3:rd secondary 6 - 16 / 8 - 20 |
| 8-20HF-D31 | 1 | 35240100 | Gear wheel 4:th secondary 6 - 16 / 8 - 20 |
| 8-20HF-D32 | 1 | 35360100 | Ring gear 6-16 / 8-20 |
| 8-20HF-D33 | 1 | 35370100 | Intermediate gear armrot. 6-16 |
| 8-20HF-D34 | 1 | 35370101 | Intermediate gear armrot. 6-16 |
| 8-20HF-D35 | 1 | 56030400 | Gearbox housing 8 - 20 HF |
| 8-20HF-D36 | 1 | 57230200 | Index housing 6 - 16 |
| 8-20HF-D37 | 1 | 57510101 | Slip clutch 8 - 20 HF |
| 8-20HF-D38 | 1 | 58450200 | Cover slip clutch 8-20 |
| 8-20HF-D39 | 1 | 59330400 | Shift rod 8 - 20 HF |
| 8-20HF-D40 | 1 | 59440100 | Index pinion 6 - 12 / 16 |
| 8-20HF-D41 | 1 | 59550300 | Index knob 8 - 20 HF |

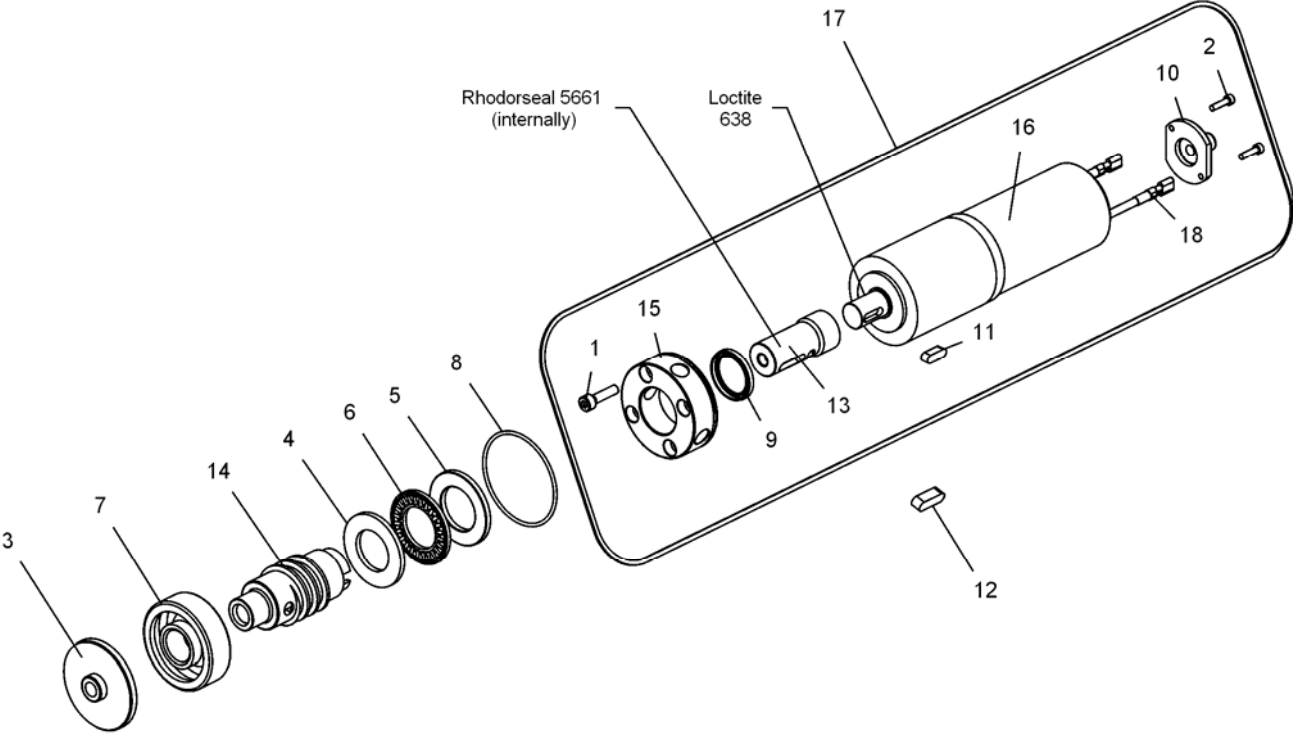
Travel pinion assembly



Travel pinion assembly

| Pos. | Qty | Part number | Description |
|-------------|------------|--------------------|--------------------------------|
| 8-20HF-E1 | 1 | 17306350 | Shear Pin 6 x 35 |
| 8-20HF-E2 | 1 | 20756004 | Ball bearing 6004-2RSH/C3 |
| 8-20HF-E3 | 1 | 20706201 | Ball bearing 6201-2Z/C3 |
| 8-20HF-E4 | 1 | 21203800 | Circlip 38 mm DIN 471 |
| 8-20HF-E5 | 1 | 22140200 | Spacer travel pinion |
| 8-20HF-E6 | 1 | 23115053 | O-ring 53 x 1.5 NBR 70 |
| 8-20HF-E7 | 1 | 24002503507 | Seal 25 x 35 x 7 with dust lip |
| 8-20HF-E8 | 1 | 34160200 | Pinion travel Pentrunder |
| 8-20HF-E9 | 1 | 34160201 | Pinion travel cpl |
| 8-20HF-E10 | 1 | 35430300 | Worm Gear for shear pin D=6 |
| 8-20HF-E11 | 1 | 58250200 | Cover travel Pentrunder |

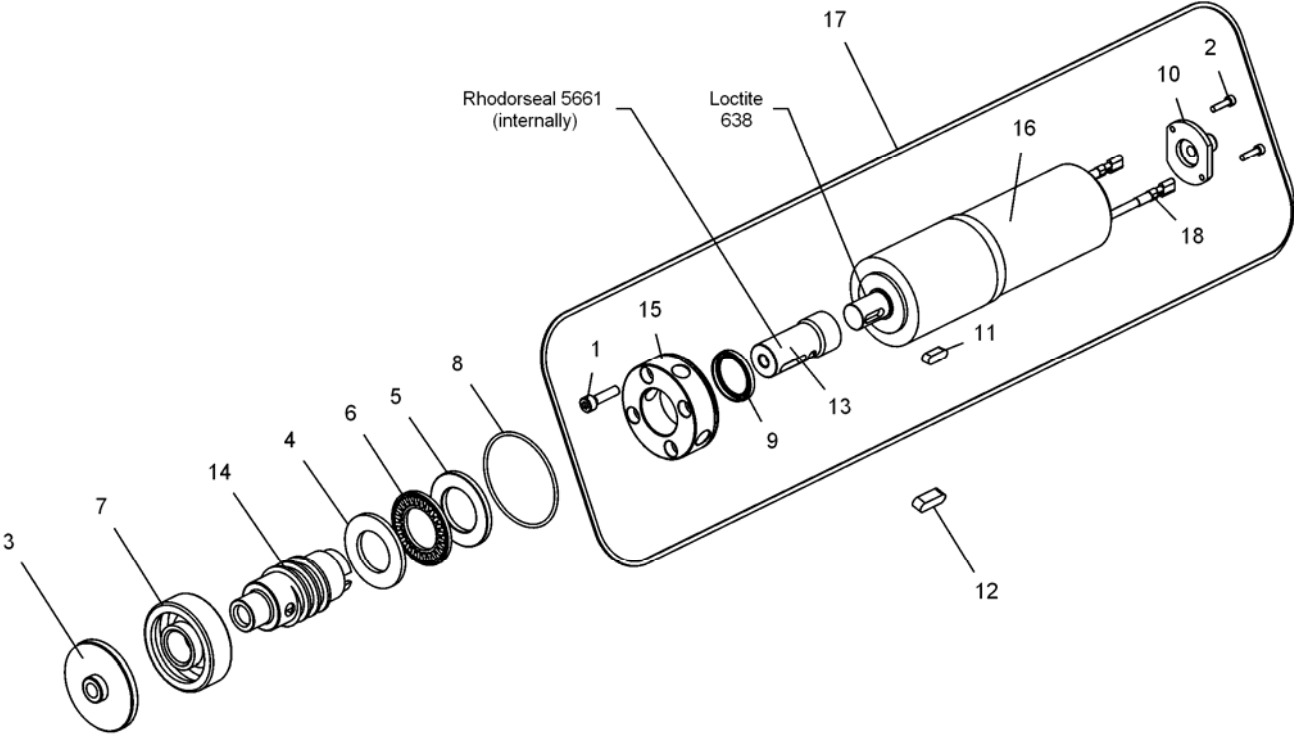
24 V DC arm motor



24 V DC arm motor.

| Pos. | Qty | Part number | Description |
|-------------|------------|--------------------|--------------------------------------|
| 8-20HF-F1 | 4 | 121004016-12.9FZ | Allen screw DIN 912 M4 x 16 12.9Z |
| 8-20HF-F2 | 2 | 1215016006 | Screw posidrive MFX 4.8 1.6x6 H Z |
| 8-20HF-F3 | 1 | 16290100 | Washer, for bearing extraction |
| 8-20HF-F4 | 1 | 200181104 | Thrust Washer WS 81104 |
| 8-20HF-F5 | 1 | 200281104 | Thrust Washer GS 81104 |
| 8-20HF-F6 | 1 | 20082035 | Axial needle roller bearing AXK 2035 |
| 8-20HF-F7 | 1 | 20877302 | Angular cont. ball bearing 7302 BEP |
| 8-20HF-F8 | 1 | 23116042 | O-ring 42 x 1.6 NBR 70 |
| 8-20HF-F9 | 1 | 23901802403 | Radial seal 18 x 24 x 3 |
| 8-20HF-F10 | 1 | 26240300 | Protection sleeve 24V DC-motor |
| 8-20HF-F11 | 1 | 29110414 | Key 4 x 4 x 14 |
| 8-20HF-F12 | 1 | 29110516 | Key 5 x 5 x 16 |
| 8-20HF-F13 | 1 | 34430100 | Adapter axle 24V DC-motor |
| 8-20HF-F14 | 1 | 35500100 | Worm screw |
| 8-20HF-F15 | 1 | 58359000 | Flange DC-Motor |
| 8-20HF-F16 | 1 | 63104600 | Arm feed motor 24V 46:1 |
| 8-20HF-F17 | 1 | 63104601 | Arm feed motor 24V 46:1 cpl |
| 8-20HF-F18 | 1 | 64017801 | Cables soldered on Arm feed motor |

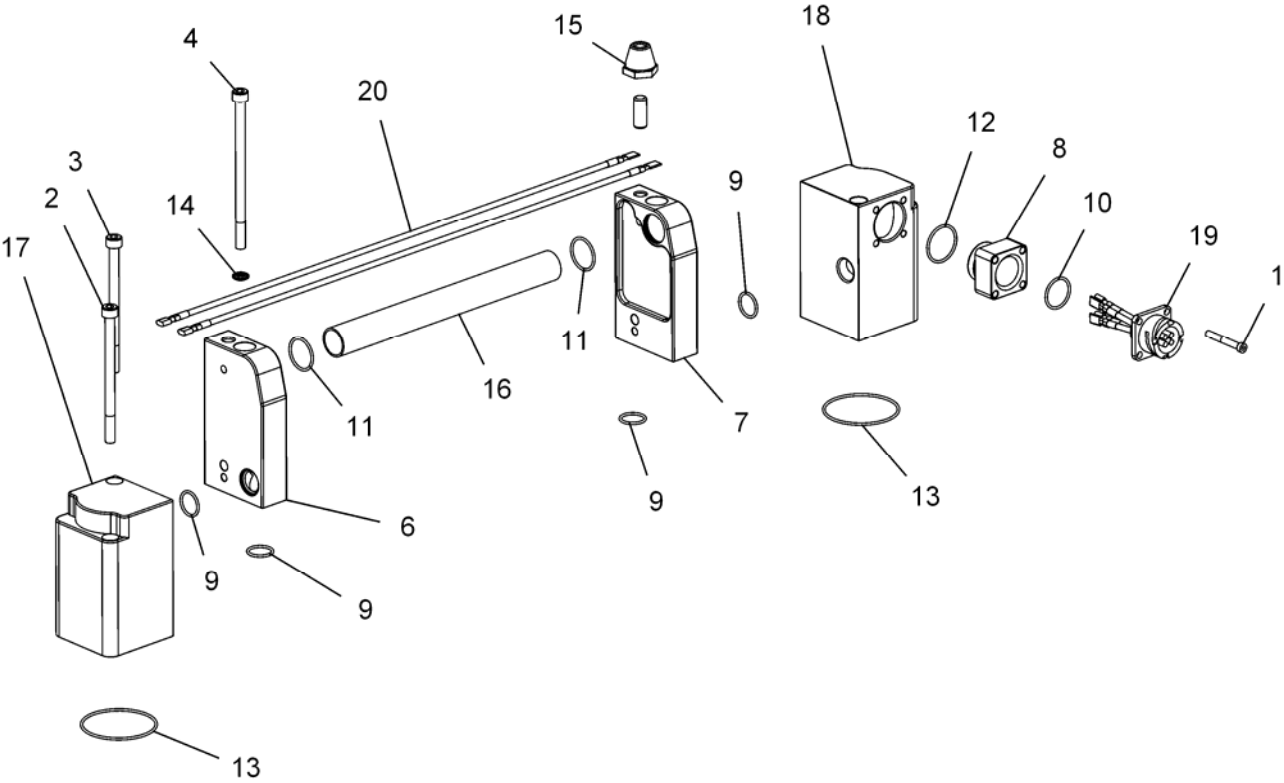
24 V DC travel motor



24 V DC travel motor

| Pos. | Qty | Part number | Description |
|------------|-----|------------------|--------------------------------------|
| 8-20HF-G1 | 4 | 121004016-12.9FZ | Allen screw DIN 912 M4 x 16 12.9Z |
| 8-20HF-G2 | 2 | 1215016006 | Screw posidrive MFX 4.8 1.6x6 H Z |
| 8-20HF-G3 | 1 | 16290100 | Washer, for bearing extraction |
| 8-20HF-G4 | 1 | 200181104 | Thrust Washer WS 81104 |
| 8-20HF-G5 | 1 | 200281104 | Thrust Washer GS 81104 |
| 8-20HF-G6 | 1 | 20082035 | Axial needle roller bearing AXK 2035 |
| 8-20HF-G7 | 1 | 20877302 | Angular cont. ball bearing 7302 BEP |
| 8-20HF-G8 | 1 | 23116042 | O-ring 42 x 1.6 NBR 70 |
| 8-20HF-G9 | 1 | 23901802403 | Radial seal 18 x 24 x 3 |
| 8-20HF-G10 | 1 | 26240300 | Protection sleeve 24V DC-motor |
| 8-20HF-G11 | 1 | 29110414 | Key 4 x 4 x 14 |
| 8-20HF-G12 | 1 | 29110516 | Key 5 x 5 x 16 |
| 8-20HF-G13 | 1 | 34430100 | Adapter axle 24V DC-motor |
| 8-20HF-G14 | 1 | 35500100 | Worm screw |
| 8-20HF-G15 | 1 | 58359000 | Flange DC-Motor |
| 8-20HF-G16 | 1 | 63102000 | Travel feed motor 24V 20:1 |
| 8-20HF-G17 | 1 | 63102001 | Travel feed motor 24V 20:1 cpl |
| 8-20HF-G18 | 1 | 64017901 | Cables soldered on Travel motor |

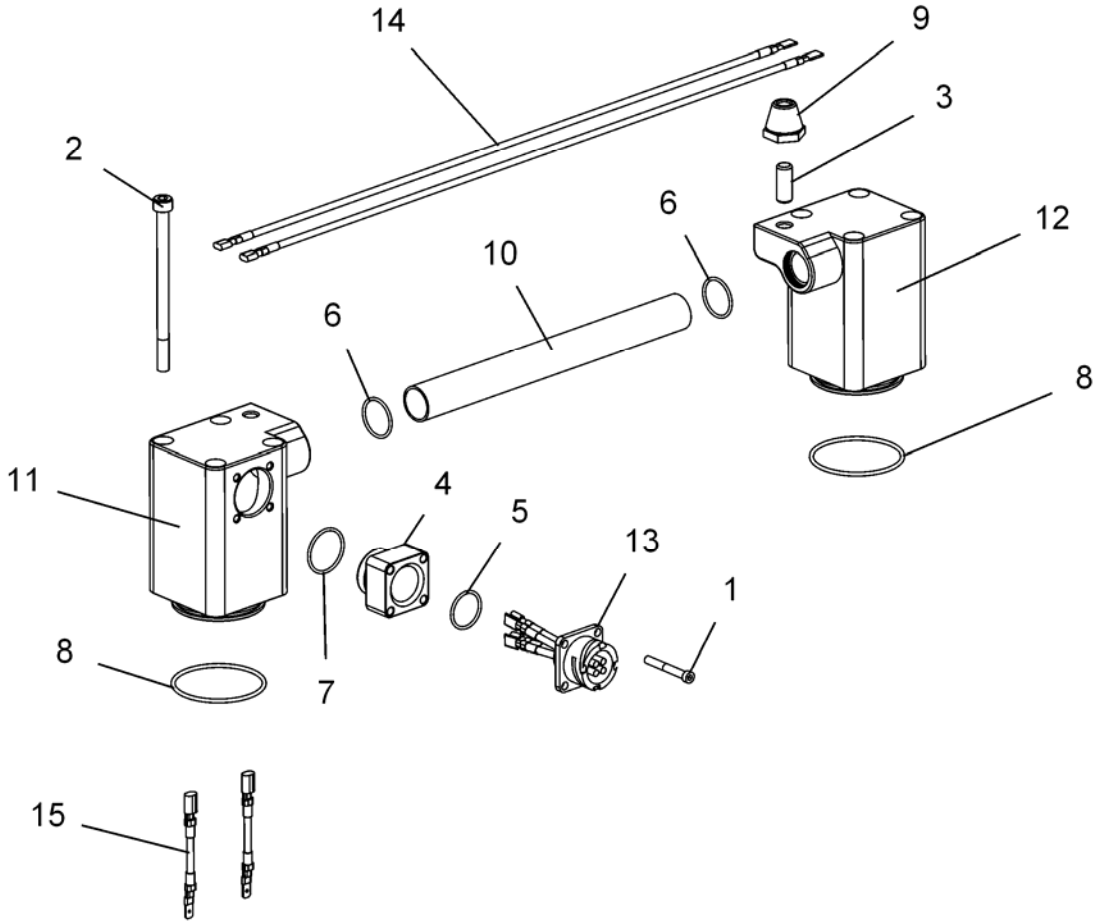
DC-motor covers assembly



DC-motor covers assembly

| Pos. | Qty | Part number | Description |
|-------------|------------|--------------------|-------------------------------------|
| 8-20HF-H1 | 4 | 121004030-8.8A2 | Allen screw DIN912 M4 x 30 8.8A2 |
| 8-20HF-H2 | 2 | 121006085-8.8A2 | Allen screw DIN912 M6 x 85 8.8A2 |
| 8-20HF-H3 | 2 | 121006100-8.8A2 | Allen screw DIN912 M6 x 100 8.8A2 |
| 8-20HF-H4 | 2 | 121006100-12.9Fz | Allen screw DIN912 M6 x 100 12.9Fz |
| 8-20HF-H5 | 2 | 14080700 | Stud M8 x 20 10.9 |
| 8-20HF-H6 | 1 | 18020100 | Manifold Left 8-20 HF |
| 8-20HF-H7 | 1 | 18020200 | Manifold Right 8-20 HF |
| 8-20HF-H8 | 1 | 22410100 | Spacer Cannon connector 24V |
| 8-20HF-H9 | 4 | 23115014 | O-ring 14 x 1.5 NBR 70 |
| 8-20HF-H10 | 1 | 23115018 | O-ring 18 x 1.5 NBR 70 |
| 8-20HF-H11 | 2 | 23115019 | O-ring 19 x 1.5 NBR 70 |
| 8-20HF-H12 | 1 | 23115022 | O-ring 22 x 1.5 NBR 70 |
| 8-20HF-H13 | 1 | 23115045 | O-ring 45 x 1.5 NBR 70 |
| 8-20HF-H14 | 2 | 23206710 | Dowty washer 6.7 x 10 x 1 M6 |
| 8-20HF-H15 | 2 | 40070100 | Guide cone M8 |
| 8-20HF-H16 | 1 | 50190100 | Tube, Handle 6 – 16 |
| 8-20HF-H17 | 1 | 58281200 | Cover DC-Motor LH 8-20 |
| 8-20HF-H18 | 1 | 58281400 | Cover DC-Motor RH 8-20 |
| 8-20HF-H19 | 1 | 64015101 | Connector w cable on sawhead 24V HF |
| 8-20HF-H20 | 1 | 64017701 | Cables between feed motors 8-20HF |

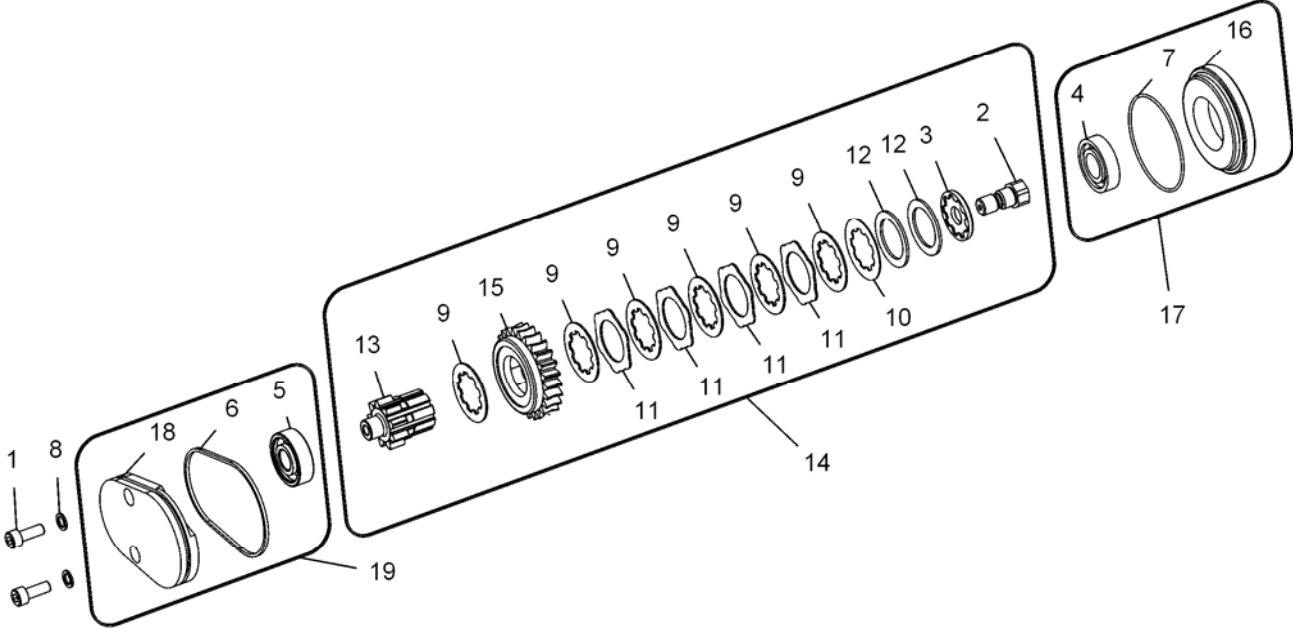
DC-motor covers assembly (NEW)



DC-motor covers assembly (NEW)

| Pos. | Qty | Part number | Description |
|--------------|------------|--------------------|---|
| 8-20HF-H2-1 | 4 | 121004030-8.8A2 | Allen screw DIN912 M4 x 30 8.8A2 |
| 8-20HF-H2-2 | 8 | 121006090-8.8A2 | Allen screw DIN912 M6 x 90 8.8A2 |
| 8-20HF-H2-3 | 2 | 14080700 | Stud M8 x 20 10.9 |
| 8-20HF-H2-4 | 1 | 22410100 | Spacer Cannon connector 24V |
| 8-20HF-H2-5 | 1 | 23115018 | O-ring 18 x 1.5 NBR 70 |
| 8-20HF-H2-6 | 2 | 23115019 | O-ring 19 x 1.5 NBR 70 |
| 8-20HF-H2-7 | 1 | 23115022 | O-ring 22 x 1.5 NBR 70 |
| 8-20HF-H2-8 | 2 | 23120045 | O-ring 45 x 2 NBR 70 |
| 8-20HF-H2-9 | 2 | 40070100 | Guide cone M8 |
| 8-20HF-H2-10 | 1 | 50190100 | Tube, Handle 6 - 16 |
| 8-20HF-H2-11 | 1 | 58281800 | Housing DC-motor left 8-20HF |
| 8-20HF-H2-12 | 1 | 58281900 | Housing DC-motor right 8-20HF |
| 8-20HF-H2-13 | 1 | 64015101 | Connector w cable on sawhead 24V HF |
| 8-20HF-H2-14 | 2 | 64017601 | Cables between feed motors 6-12HF |
| 8-20HF-H2-15 | 1 | 64018101 | Extension cables feedmotors 8-20HF + Lean |

Arm slip clutch



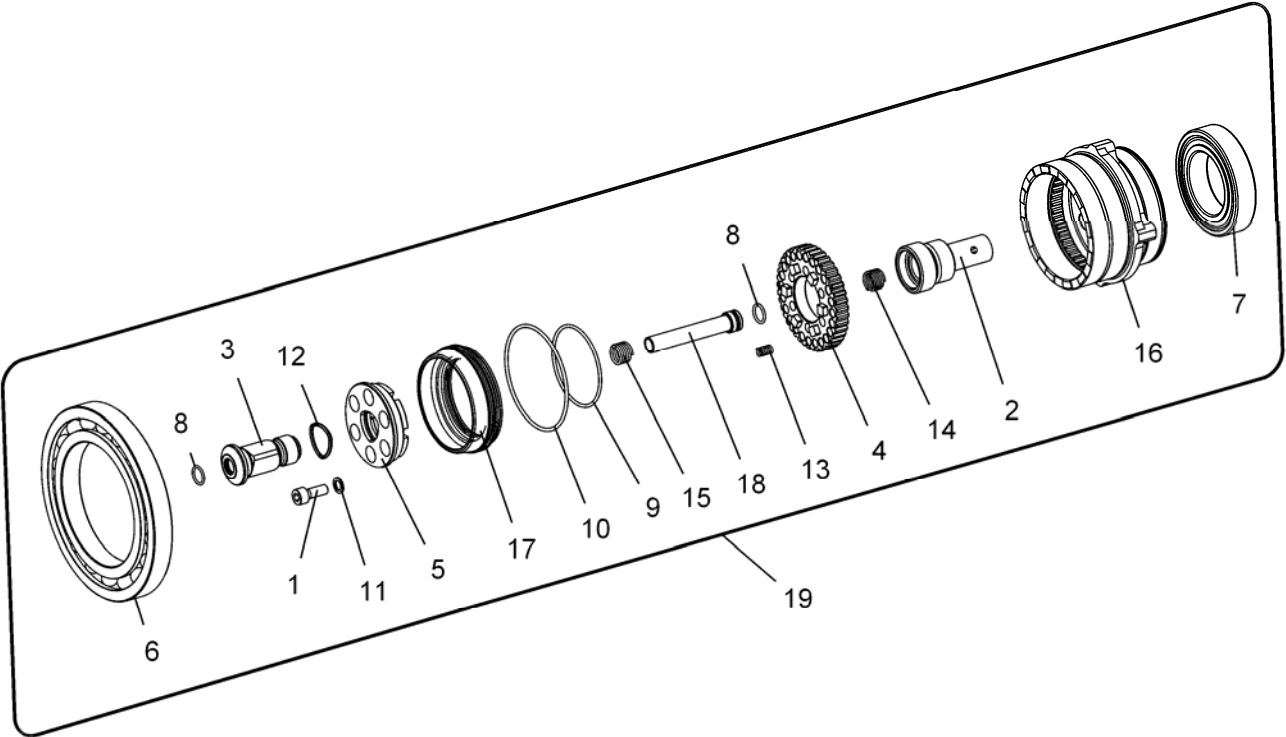
Arm slip clutch

| Pos. | Qty | Part number | Description |
|-------------|------------|--------------------|-------------------------------------|
| 8-20HF-I1 | 2 | 121006016-12.9FZ | Allen screw DIN912 M6x16 12.9Z |
| 8-20HF-I2 | 1 | 14100300 | Screw Slip-Clutch |
| 8-20HF-I3 | 1 | 16030200 | Washer slip clutch |
| 8-20HF-I4 | 1 | 207016002 | Ball bearing 16002 |
| 8-20HF-I5 | 1 | 20706201 | Ball bearing 6201-2Z/C3 |
| 8-20HF-I6 | 1 | 23120070 | O-ring 70 x 2 NBR 70 |
| 8-20HF-I7 | 1 | 23115053 | O-ring 53 x 1.5 NBR70 |
| 8-20HF-I8 | 2 | 23206710 | Dowty washer 6.7 x 10 x 1 |
| 8-20HF-I9 | 6 | 27030100 | Plate, slip-clutch inner teeth |
| | | | Plate, slip-clutch inner teeth |
| 8-20HF-I10 | 1 | 27030100-XX | T=0.6,0.7,0.8,0.9,1.0,1.1,1.2 |
| 8-20HF-I11 | 4 | 27040100 | Plate, slip-clutch outer teeth |
| 8-20HF-I12 | 2 | 32243415 | Bellev. wash. 34x24x1.5 slip clutch |
| 8-20HF-I13 | 1 | 34160500 | Pinion Slip-Clutch 6-16/8-20 |
| 8-20HF-I14 | 1 | 34160501 | Slip clutch 6-16/8-20 cpl |
| 8-20HF-I15 | 1 | 35430600 | Worm gear friction type clutch |
| 8-20HF-I16 | 1 | 58250100 | Cover arm-rotation |
| 8-20HF-I17 | 1 | 58250101 | Cover arm rotation Pentrunder cpl |
| 8-20HF-I18 | 1 | 58290100 | Cover oval 6 -16 |
| 8-20HF-I19 | 1 | 58290101 | Cover oval 6-16 / 8-20 |

Slip clutch

| Pos. | Qty | Part number | Description |
|-------------|------------|--------------------|-------------------------------------|
| 8-20HF-J1 | 16 | 121204012-10.9 | Allen Screw DIN7984 M4x12 10.9 |
| 8-20HF-J2 | 16 | 22170100 | Spacer, slip clutch HF |
| 8-20HF-J3 | 1 | 27030400XXX | Clutch disc int. HF T=3.6, 3.7, 3.8 |
| 8-20HF-J4 | 2 | 27050200 | Slip Washer Copper HF T=1 |
| 8-20HF-J5 | 6 | 27030700 | Clutch disc int. HF T=1.5 |
| 8-20HF-J6 | 6 | 27040200 | Clutch disc, ext. teeth HF |
| 8-20HF-J7 | 64 | 32126206 | Belleville washer 12x6.2x0.6 |
| 8-20HF-J8 | 1 | 46480200 | Pressure plate slip clutch 8-20HF |
| 8-20HF-J9 | 1 | 57510100 | Housing slip clutch 8-20HF |
| 8-20HF-J10 | 1 | 57510101 | Slip clutch 8-20HF |

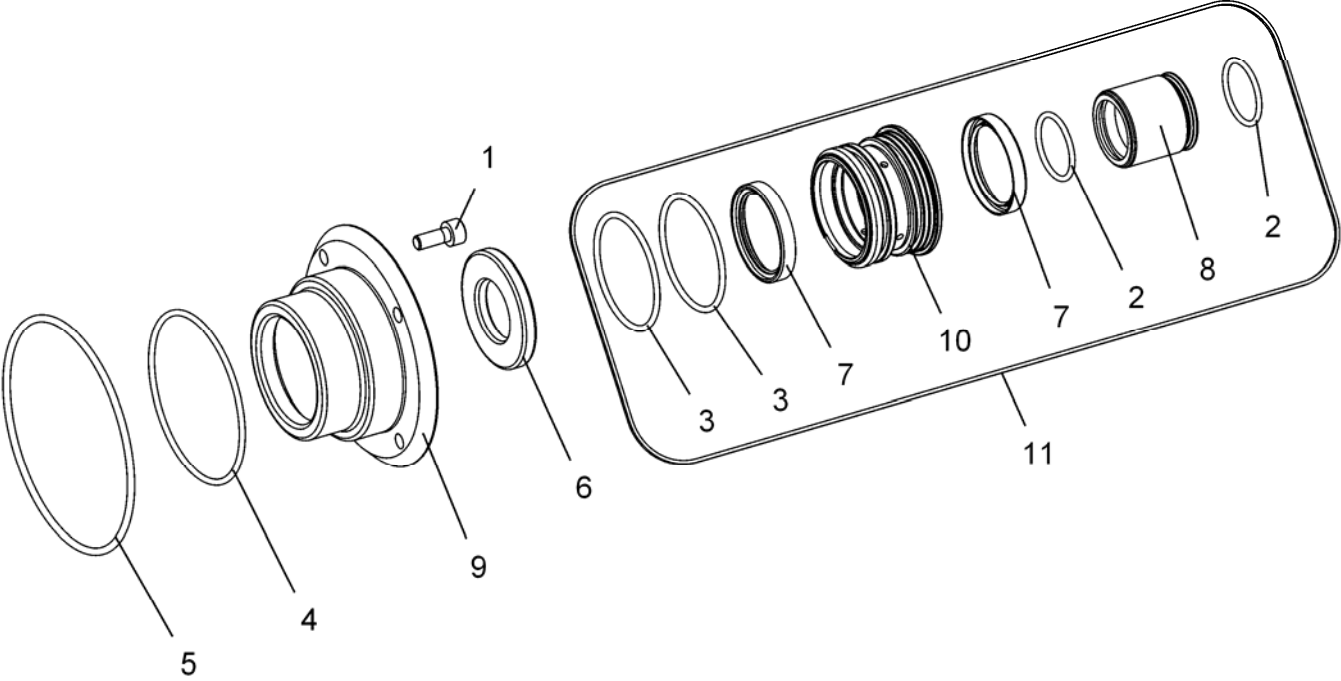
Spindle



Spindle

| Pos. | Qty | Part number | Description |
|-------------|------------|--------------------|-----------------------------------|
| 8-20HF-K1 | 6 | 121006016-12.9FZ | Allen screw DIN912 M6x16 12.9Z |
| 8-20HF-K2 | 1 | 14010100 | Screw quick disconnect coupling |
| 8-20HF-K3 | 1 | 14010200 | Pull stud 6-10/12/16, 8-20 |
| 8-20HF-K4 | 1 | 16180200 | Thread washer with dogs |
| 8-20HF-K5 | 1 | 16230200 | Washer, int. triangular with dogs |
| 8-20HF-K6 | 1 | 207016016 | Ball Bearing 16016 / C3 |
| 8-20HF-K7 | 1 | 20706008 | Ball Bearing 6008/C3 |
| 8-20HF-K8 | 2 | 23115010 | O-ring 10 x 1.5 NBR 70 |
| 8-20HF-K9 | 1 | 23120050 | O-ring 50 x 2 NBR 70 |
| 8-20HF-K10 | 1 | 23120064 | O-ring 64 x 2 NBR 70 |
| 8-20HF-K11 | 6 | 23206710 | Dowty washer 6.7 x 10 x 1 |
| 8-20HF-K12 | 1 | 23120020 | O-ring 20 x 2 |
| 8-20HF-K13 | 6 | 32090515 | Compression spring 0.9 x 5.4 x 15 |
| 8-20HF-K14 | 1 | 32150915 | Spring 1.5 x 9 x 15 |
| 8-20HF-K15 | 1 | 32121015 | Spring 1.2 x 10 x 15 |
| 8-20HF-K16 | 1 | 34280300 | Spindel 8 - 20 / 6 - 16 |
| 8-20HF-K17 | 1 | 40040100 | Centering cone |
| 8-20HF-K18 | 1 | 50070100 | Tube water feed |
| 8-20HF-K19 | 1 | 34280401 | Spindle 8-20 cpl |

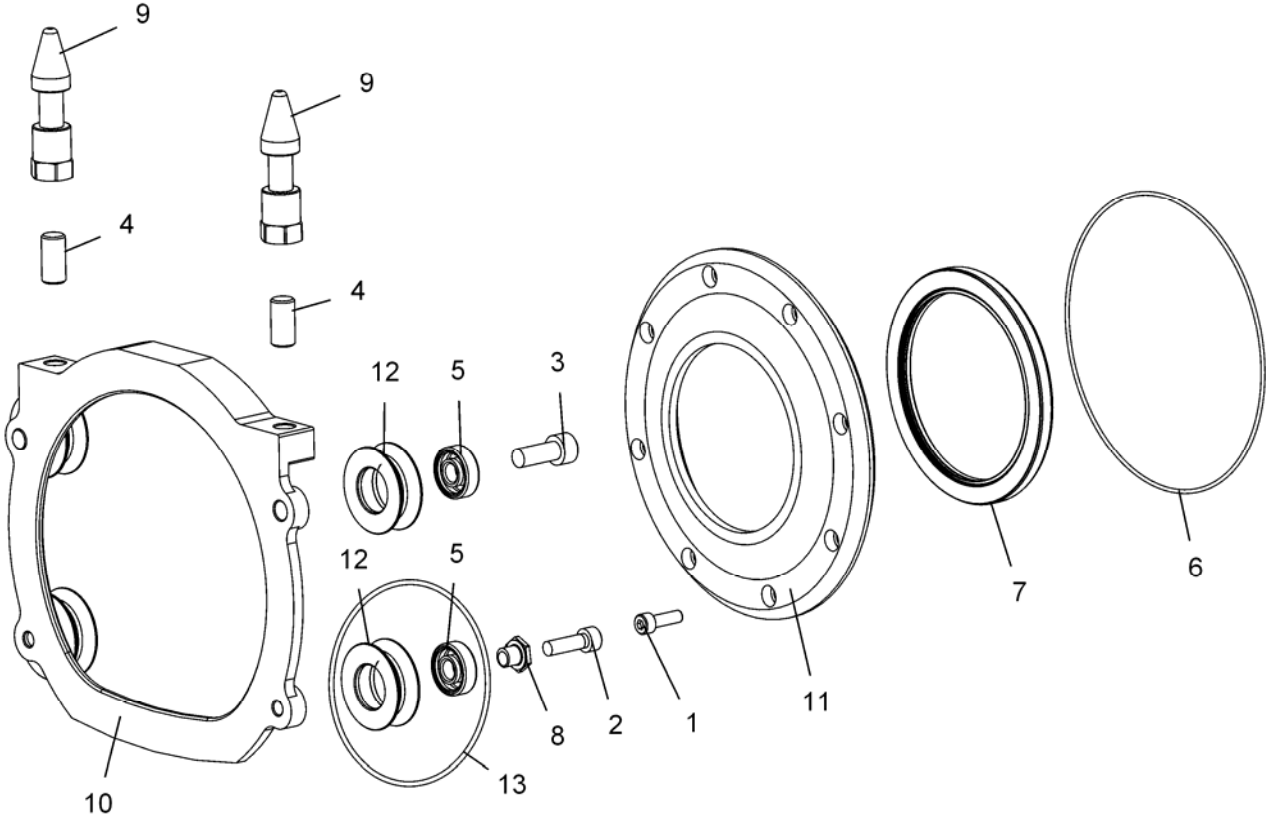
Water seal assembly



Water seal assembly

| Pos. | Qty | Part number | Description |
|-------------|------------|--------------------|-------------------------------------|
| 8-20HF-L1 | 4 | 121004010-12.9FZ | Allen screw DIN912 M4x10 12.9FZ |
| 8-20HF-L2 | 2 | 23115017 | O-ring 17 x 1.5 NBR 70 |
| 8-20HF-L3 | 2 | 23120028 | O-ring 28 x 2 NBR 70 |
| 8-20HF-L4 | 1 | 23120048 | O-ring 48 x 2 NBR 70 |
| 8-20HF-L5 | 1 | 23125064 | O-ring 64 x 2.5 NBR 70 |
| 8-20HF-L6 | 1 | 23901703404G | Seal 17 x 34 x 4 rubber |
| 8-20HF-L7 | 2 | 24002202804 | Seal, water 22 x 28 x 4 |
| 8-20HF-L8 | 1 | 26250200 | Wear-sleeve Watersealing Pentrunder |
| 8-20HF-L9 | 1 | 34040400 | Swivel housing Stainless Steel |
| 8-20HF-L10 | 1 | 57210100 | Waterseal Housing Pentrunder |
| 8-20HF-L11 | 1 | 57210101 | Water seal housing Pentrunder cpl |

Blade guard rotary flange



Blade guard rotary flange

| Pos. | Qty | Part number | Description |
|-------------|------------|--------------------|------------------------------------|
| 8-20HF-M1 | 8 | 121005016-12.9FZ | Allen screw DIN912 M5x16 12.9Z |
| 8-20HF-M2 | 2 | 121006018-12.9FZ | Allen screw DIN912 M6x18 12.9FZ |
| 8-20HF-M3 | 2 | 121008016-12.9FZ | Allen screw DIN912 M8x16 12.9FZ |
| 8-20HF-M4 | 2 | 14080800 | Stud M10 x 20 |
| 8-20HF-M5 | 4 | 20750608 | Ball bearing 608-2RS1 |
| 8-20HF-M6 | 1 | 23120122 | O-ring 122 x 2 NBR 70 |
| 8-20HF-M7 | 1 | 24008010007 | Radial seal 80x100x7 |
| 8-20HF-M8 | 2 | 26080100 | Eccentric bushing 8 - 20 |
| 8-20HF-M9 | 2 | 40070300 | Guide cone int. M10 |
| 8-20HF-M10 | 1 | 42020600 | Blade guard mounting flange 8 - 20 |
| 8-20HF-M11 | 1 | 42070100 | Flange Blade guard holder 8 - 20 |
| 8-20HF-M12 | 4 | 45010400 | Roller blade guard holder |
| 8-20HF-M13 | 1 | 45010401 | Roller blade guard holder cpl |