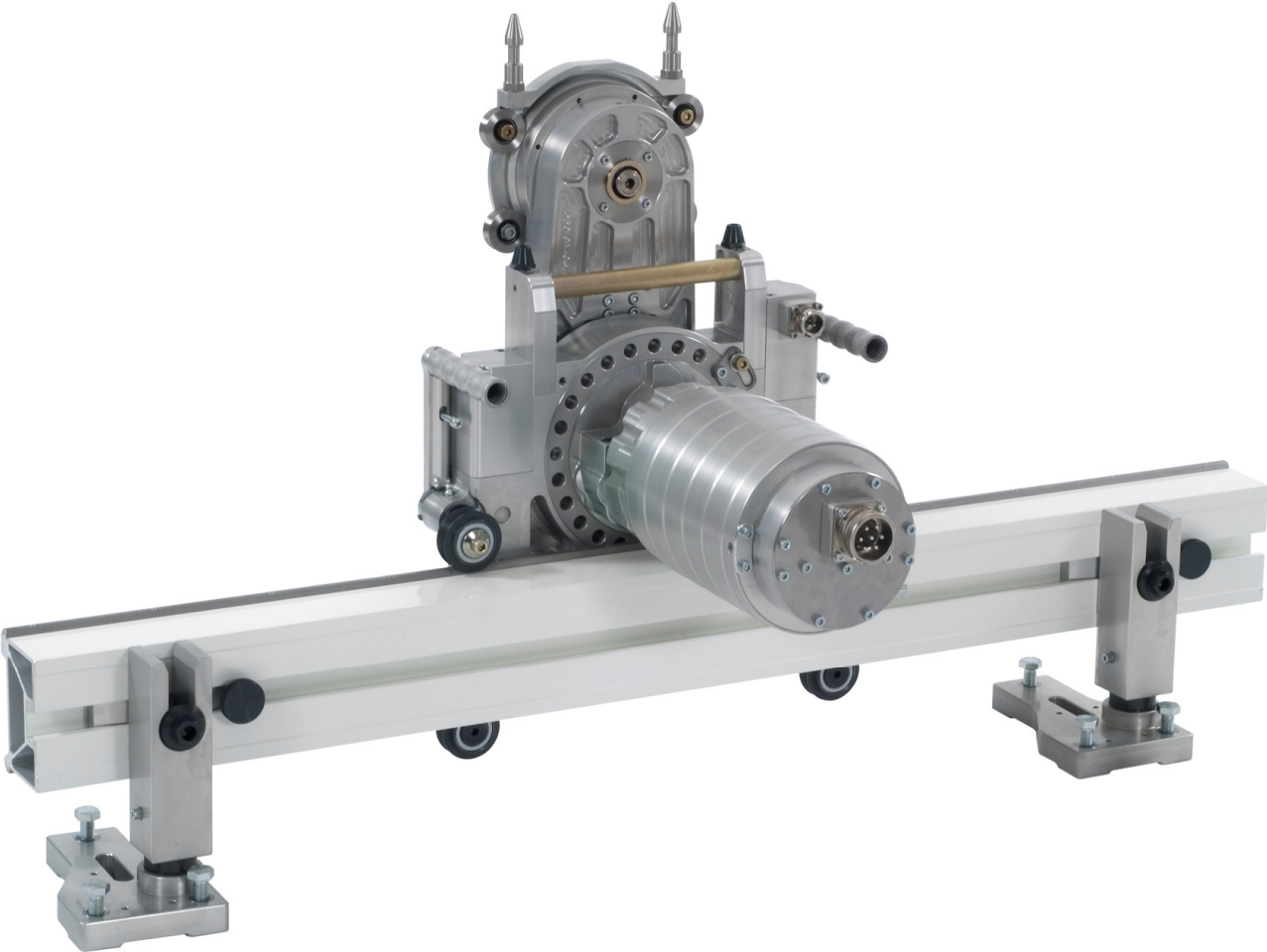


Spare parts list Pentrunder 8-20 IQ



Contents

Lower roller assembly4

Upper roller assembly6

Chassi & Arm8

Gearbox12

Travel pinion assembly14

24 V DC arm motor16

24 V DC travel motor18

DC-motor covers assembly20

Arm slip clutch.....24

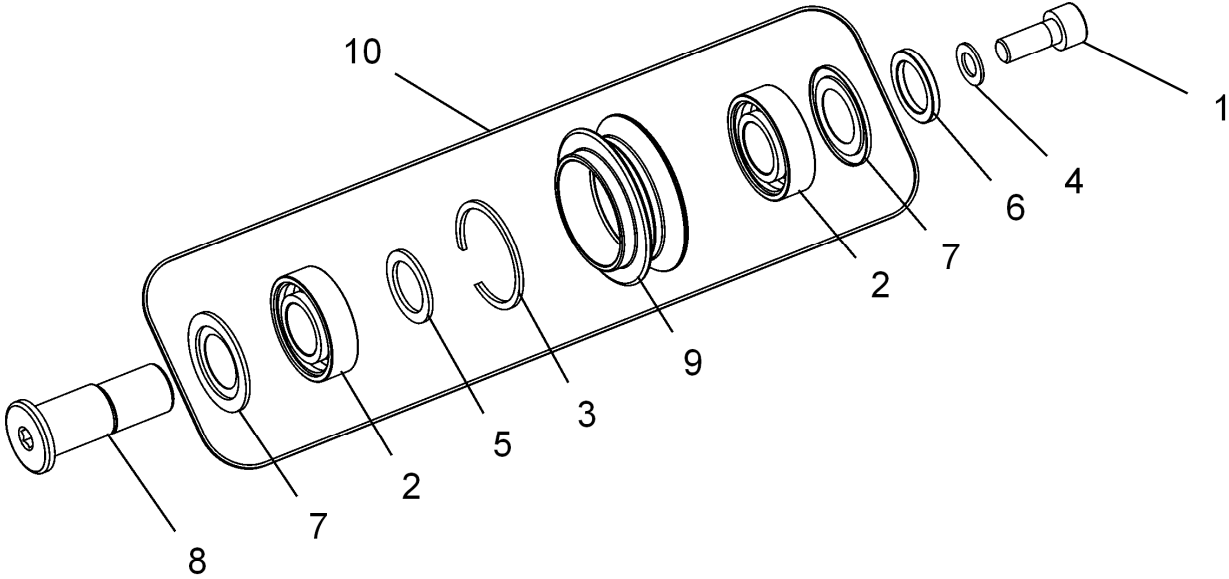
Slip clutch26

Spindle28

Water seal assembly30

Blade guard rotary flange32

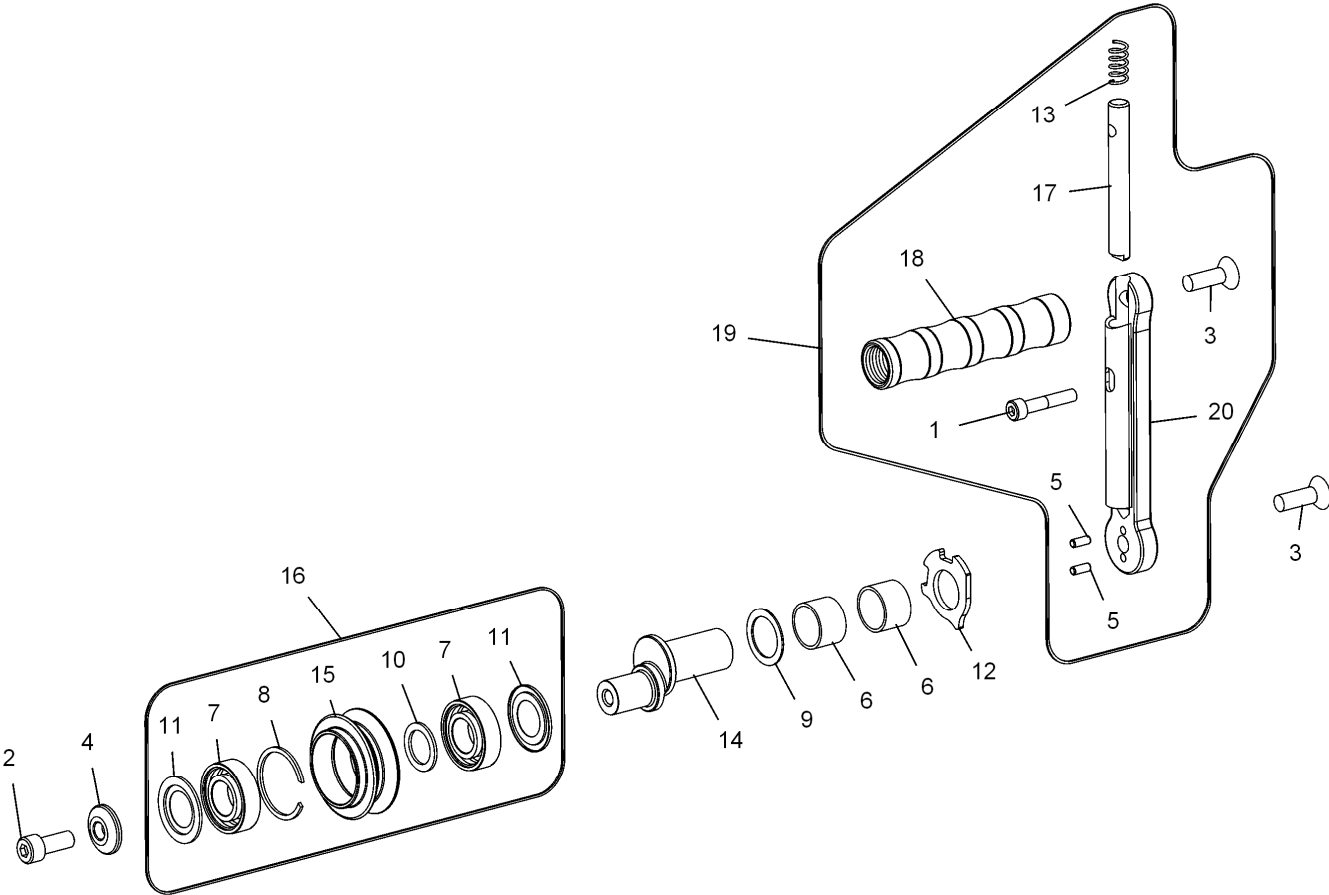
Lower roller assembly



Lower roller assembly

Pos.	Qty	Part number	Description
8-20HF-A1	1	121008020-12.9FZ	Allen screw DIN912 M8x20 12.9Z
8-20HF-A2	2	20756003	Ball bearing 6003-2RS1
8-20HF-A3	1	21300350	Circlip SB 35
8-20HF-A4	1	22110810	Support Ring 8 x 14 x 1
8-20HF-A5	1	22111715	Support ring 17 x 24 x 1.5
8-20HF-A6	1	22140100	Spacer eccentric shaft
8-20HF-A7	2	23506003	Nilos seal 6003 AV
8-20HF-A8	1	34080100	Eccentric, Adjustable 6-10 6-16 8-20
8-20HF-A9	1	45010100	Roller 6-10/12, 6-16, 8-20 Roller upper and lower cpl
8-20HF-A10		45010101	4 pcs needed for one saw

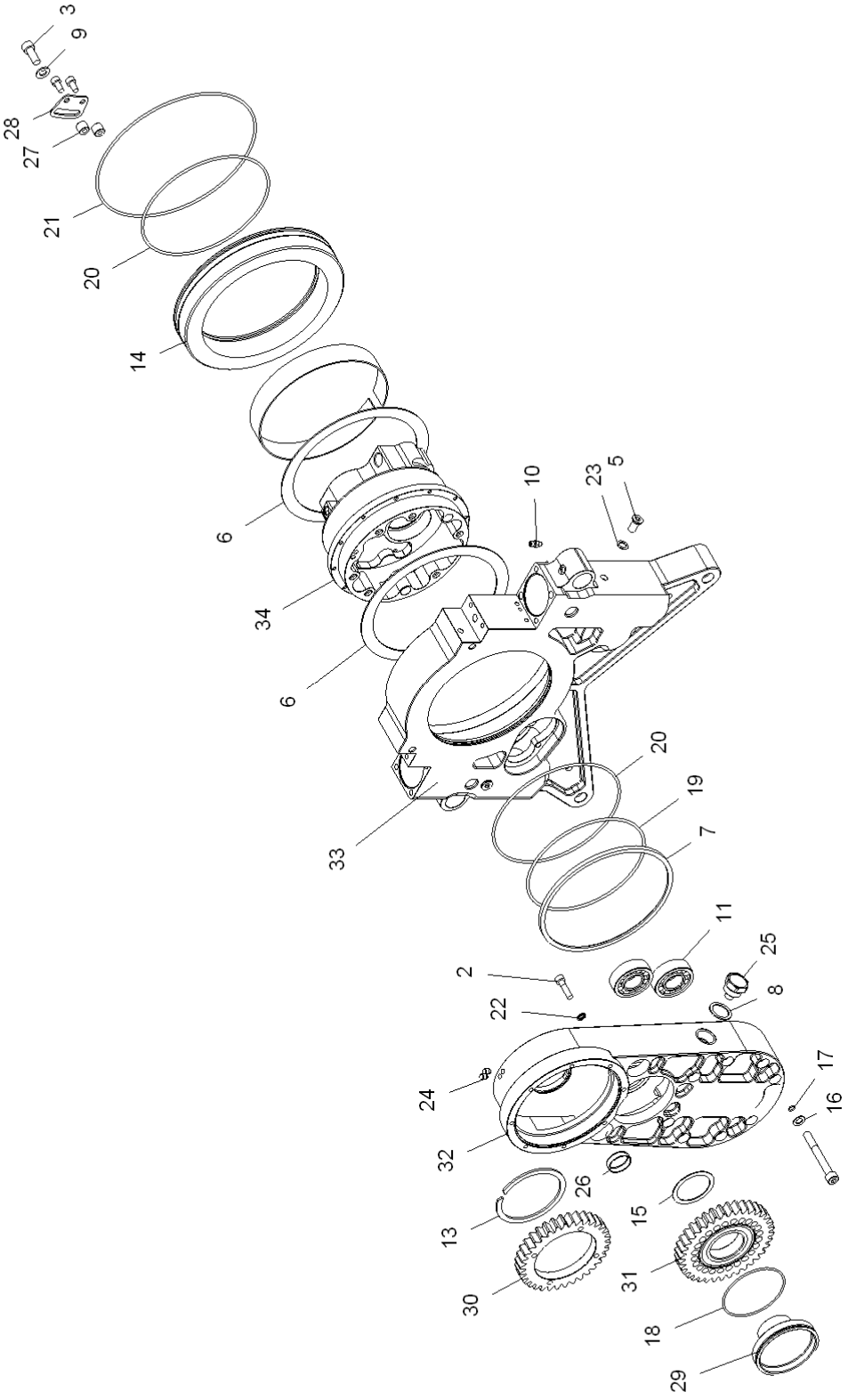
Upper roller assembly



Upper roller assembly

Pos.	Qty	Part number	Description
8-20HF-B1	1	121006050-SPEC	Allen screw M6 x 50 shortened to 31.5 mm
8-20HF-B2	1	121008020-12.9 FZ	Allen screw DIN912 M8 x 20 12.9Fz
8-20HF-B3	2	123008025-10.9FZ	C/S Allen Screw DIN7991 M8x25 10.9Z
8-20HF-B4	1	16240200	Washer eccentric roller
8-20HF-B5	2	17304100	Cyl. Pin 4 x 10
8-20HF-B6	2	2036202315	Bushing 20x23x15
8-20HF-B7	2	20756003	Ball bearing 6003-2RS1
8-20HF-B8	1	21300350	Circlip SB 35
8-20HF-B9	1	22102009	Spacer washer 20 x 28 x 0.9
8-20HF-B10	1	22111715	Support ring 17 x 24 x 1.5
8-20HF-B11	2	23506003	Nilos seal 6003 AV
8-20HF-B12	1	28010200	Lock plate 6 - 10 / 6 - 12
8-20HF-B13	1	32120720	Compression spring 1.2x7x20
8-20HF-B14	1	34080300	Shaft Eccentric Locking 6-10/12 +HF
8-20HF-B15	1	45010100	Roller 6-10/12, 6-16, 8-20 Roller upper and lower cpl
8-20HF-B16		45010101	4 pcs needed for one saw
8-20HF-B17	1	47010200	Plunger handle 6-10 / 6-12
8-20HF-B18	1	53010200	Handle 6 - 10/12
8-20HF-B19	1	53010501	Handle 6-10/12 and HF-saws cpl
8-20HF-B20	1	54030100	Lever-arm 6 - 10/12

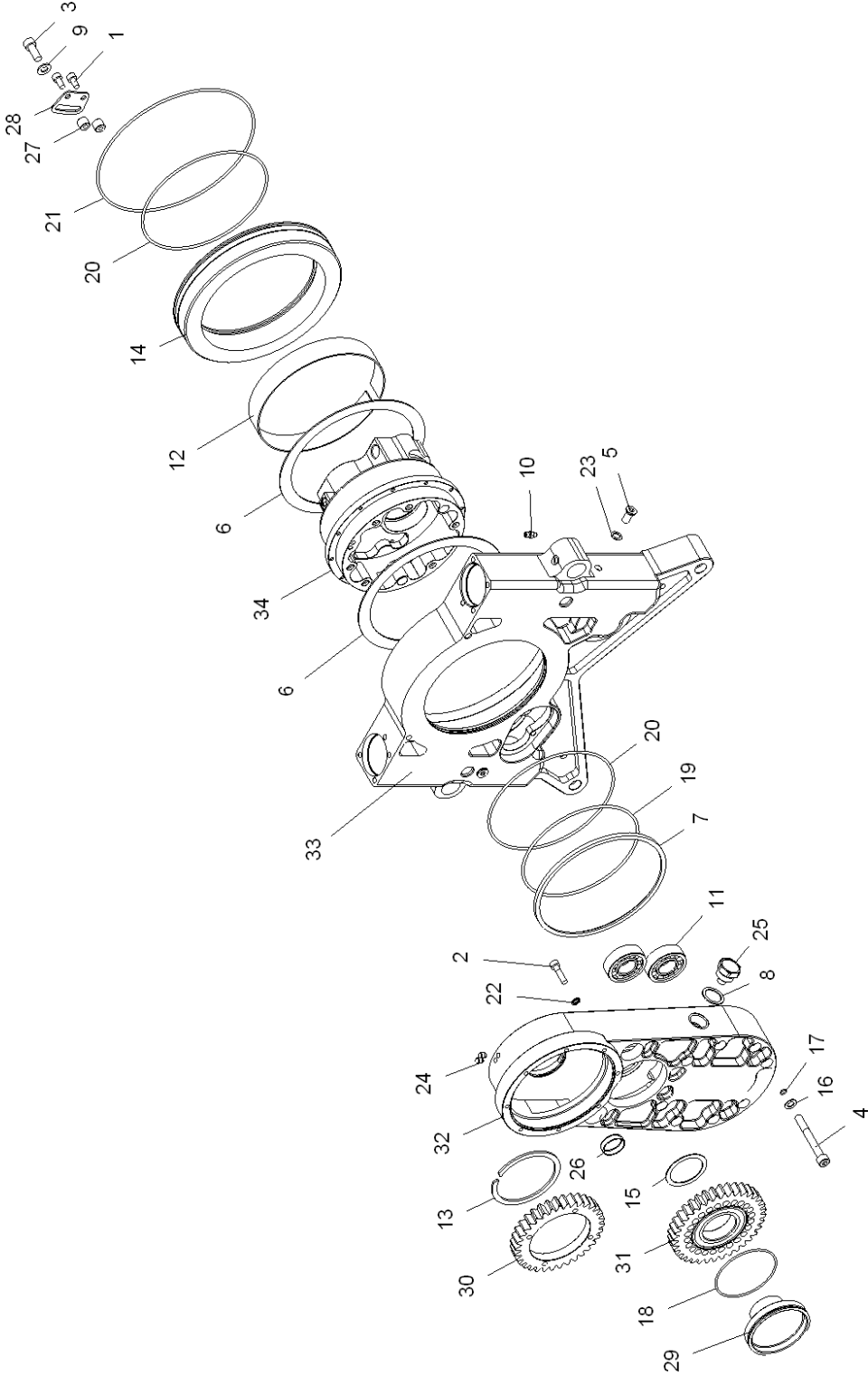
Chassi & Arm



Chassi & Arm

Pos.	Qty	Part number	Description
8-20HF-C1	2	121006012-8.8FZ	Allen screw DIN912 M6 x 12 8.8F
8-20HF-C2	4	121006025-12.9FZ	Allen screw DIN912 M6 x 25 12.9Fz
8-20HF-C3	1	121008016-12.9FZ	Allen screw DIN912 M8x16 12.9FZ
8-20HF-C4	8	121008065-12.9FZ	Allen screw DIN912 M8 x 65 12.9 Fzb
8-20HF-C5	4	121908016-10.9FZ	Allen screw extra low head M8 x 16 Fz
8-20HF-C6	2	16010200	Axial bearing 178 x 150.2 x 1.5
8-20HF-C7	1	16010400	Axial bearing washer
8-20HF-C8	1	16352026	Washer Alu 20 x 26 x 1.5
8-20HF-X9	1	16400800	Plain washer 8.4 x 16 x 1.6 /M8
8-20HF-C10	2	19930261	Grease nipple M6 x 1
8-20HF-C11	2	20160204	Cyl. Roller bearing NU 204 ECP
8-20HF-C12	1	2021025000	Bearing strip 25 x 470 x 1.5
8-20HF-C13	1	21107500	Circlip SW 75
8-20HF-C14	1	22010100	Bearing Ring Arm 6 - 16 / 8- 20
8-20HF-C15	1	22114010	Spacer PS 40 x 50 x 1
8-20HF-C16	8	22110810	Support Ring 8 x 14 x 1
8-20HF-C17	8	23112008	O-ring 8 x 1.25 NBR 70
8-20HF-C18	1	23120070	O-ring 70 x 2 NBR 70
8-20HF-C19	1	23130144	O-ring 144 x 3 NBR 70
8-20HF-C20	2	23130150	O-ring 150 x 3 NBR 70
8-20HF-C21	1	23130185	O-ring 185 x 3 NBR 70
8-20HF-C22	4	23206710	Dowty washer 6.7 x 10 x 1 M6
8-20HF-C23	4	23208713	Dowty washer 8.7 x 13 x 1 M8
8-20HF-C24	2	25010100	Plug MB 800-060
8-20HF-C25	1	25032015	Magnet plug M20 x 1.5
8-20HF-C26	2	25110200	Plug, Arm 6 - 16 / 8 - 20 27 mm
8-20HF-C27	2	26280500	Nut 6-8, 6-16, 8-20
8-20HF-C28	1	28010100	Locking washer bearing ring 6-16 / 8 - 20
8-20HF-C29	1	34210200	Intermediate shaft arm 6-16
8-20HF-C30	1	35350600	Gear wheel spindle 8 - 20 IQ
8-20HF-C31	1	35370201	Intermediate gear 6-16/PP25/IQ cpl
8-20HF-C32	1	56010600	Arm 8 - 20 IQ
8-20HF-C33	1	56020500	Chassis 8 - 20 HF
8-20HF-C34	1	56030400	Gearbox housing 8 - 20 HF

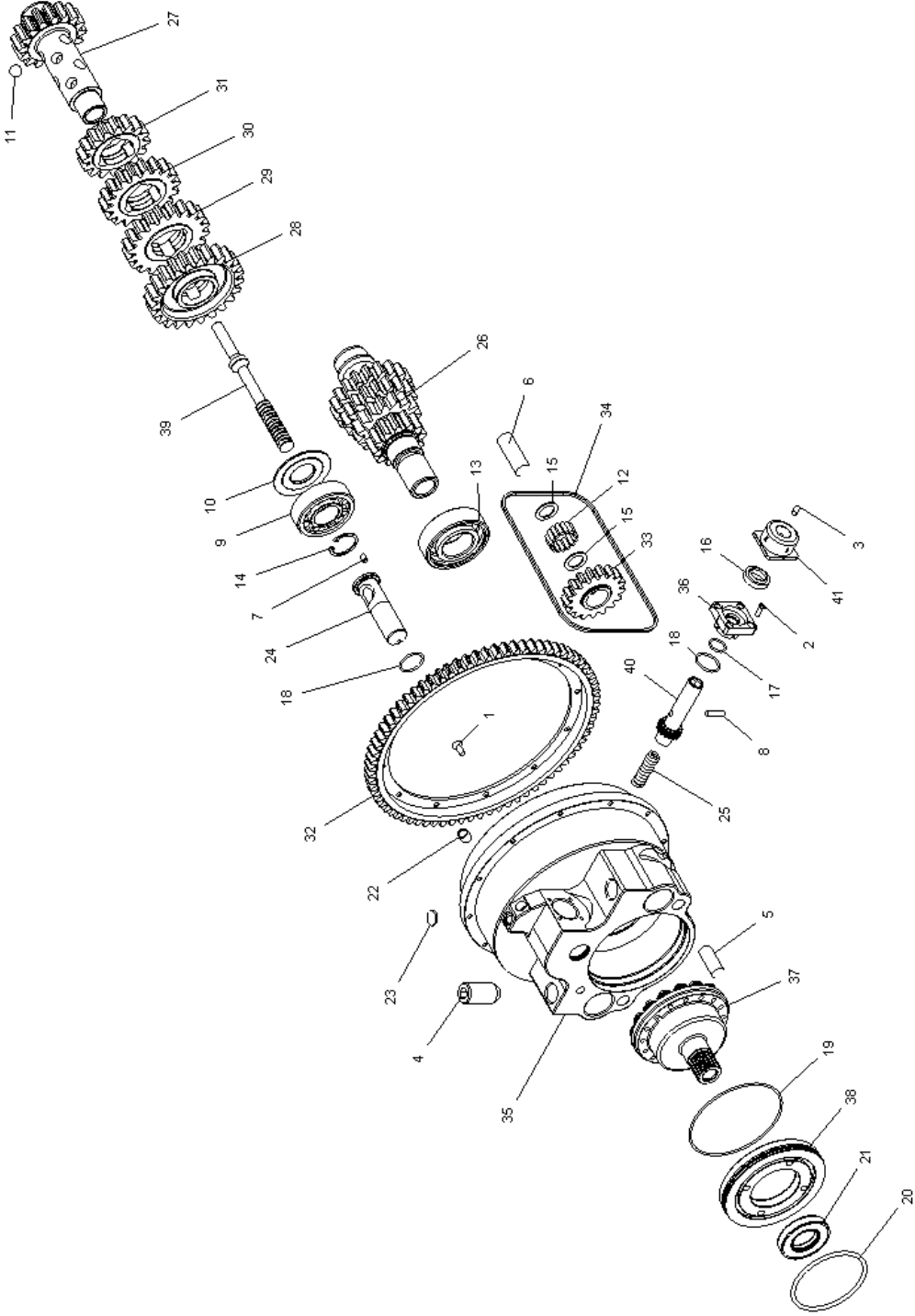
Chassi & Arm



Chassi & Arm

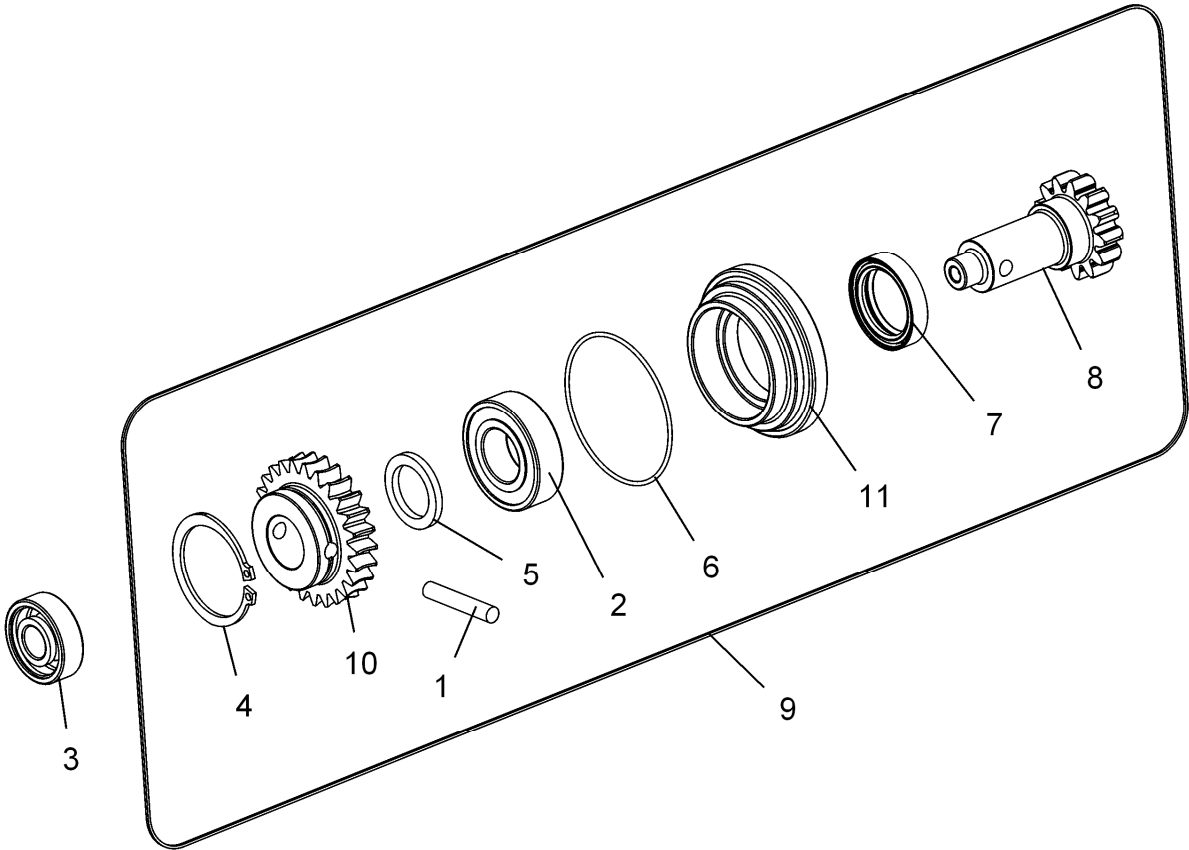
Pos.	Qty	Part number	Description
8-20HF-C2-1	2	121006012-8.8FZ	Allen screw DIN912 M6 x 12 8.8F
8-20HF-C2-2	4	121006025-12.9FZ	Allen screw DIN912 M6 x 25 12.9Fz
8-20HF-C2-3	1	121008016-12.9FZ	Allen screw DIN912 M8x16 12.9FZ
8-20HF-C2-4	8	121008065-12.9FZ	Allen screw DIN912 M8 x 65 12.9 Fzb
8-20HF-C2-5	4	121908016-10.9FZ	Allen screw extra low head M8 x 16 Fz
8-20HF-C2-6	2	16010200	Axial bearing 178 x 150.2 x 1.5
8-20HF-C2-7	1	16010400	Axial bearing washer
8-20HF-C2-8	1	16352026	Washer Alu 20 x 26 x 1.5
8-20HF-C2-9	1	16400800	Plain washer 8.4 x 16 x 1.6 /M8
8-20HF-C2-10	2	19930261	Grease nipple M6 x 1
8-20HF-C2-11	2	20160204	Cyl. Roller bearing _NU 204 ECP
8-20HF-C2-12	1	2021025000	Bearing strip 25 x 470 x 1.5
8-20HF-C2-13	1	21107500	Circlip SW 75
8-20HF-C2-14	1	22010100	Bearing Ring Arm 6 - 16 / 8- 20
8-20HF-C2-15	1	22114010	Spacer PS 40 x 50 x 1
8-20HF-C2-16	8	22110810	Support Ring 8 x 14 x 1
8-20HF-C2-17	8	23112008	O-ring 8 x 1.25 NBR 70
8-20HF-C2-18	1	23120070	O-ring 70 x 2 NBR 70
8-20HF-C2-19	1	23130144	O - Ring 144 x 3 NBR 70
8-20HF-C2-20	2	23130150	O-ring 150 x 3 NBR 70
8-20HF-C2-21	1	23130185	O-ring 185 x 3 NBR 70
8-20HF-C2-22	4	23206710	Dowty washer 6.7 x 10 x 1 M6
8-20HF-C2-23	4	23208713	Dowty washer 8.7 x 13 x 1 M8
8-20HF-C2-24	2	25010100	Plug MB 800-060
8-20HF-C2-25	1	25032015	Magnet plug M20 x 1.5
8-20HF-C2-26	2	25110200	Plug, Arm 6 - 16 / 8 - 20 27 mm
8-20HF-C2-27	2	26280500	Nut 6-8, 6-16, 8-20
8-20HF-C2-28	1	28010100	Locking washer bearing ring 6-16 / 8 - 20
8-20HF-C2-29	1	34210200	Intermediate shaft arm 6-16
8-20HF-C2-30	1	35350600	Gear wheel spindle 8 - 20 IQ
8-20HF-C2-31	1	35370201	Intermediate gear 6-16/PP25/IQ cpl
8-20HF-C2-32	1	56010600	Arm 8 - 20 IQ
8-20HF-C2-33	1	56020900	Chassis 8 - 20 HF + IQ
8-20HF-C2-34	1	56030400	Gearbox housing 8 - 20 HF

Gearbox



Gearbox Pos.	Qty	Part number	Description
8-20HF-D1	12	121404010	C/S Torx screw M4 x 10
8-20HF-D2	4	121635012	Screw Torx M3.5 x 12
8-20HF-D3	1	122904008	Grub screw MS6SS M4 x 8
8-20HF-D4	2	14220100	Coupling Screw
8-20HF-D5	2	17310250	Cyl. pin 10 x 25
8-20HF-D6	1	17312350	Cyl. pin 12 x 35
8-20HF-D7	1	17404060	Split pin Ø 4 x 6
8-20HF-D8	1	17504160	Roll pin 4 x 16
8-20HF-D9	1	20150204	Cyl. roller bearing NJ 204 ECP
8-20HF-D10	1	20193300	Axial bearing 8 - 20 HF
8-20HF-D11	12	20310900	Ball RB 9
8-20HF-D12	15	20513010	Needle roller Ø 3 x 9.8
8-20HF-D13	1	20756205	Ball bearing 6205-2RS1/C3
8-20HF-D14	1	21402200	Circlip Sgh 22
8-20HF-D15	1	22111210	Washer 12 x 18 x 1
8-20HF-D16	1	23091220	Scraper 12 x 20 x 4
8-20HF-D17	1	23115012	O-ring 12 x 1.5 NBR 70
8-20HF-D18	2	23115016	O-ring 16 x 1.5 NBR 70
8-20HF-D19	1	23115075	O-ring 75 x 1.5 NBR 70
8-20HF-D20	1	23130059	O-ring 59 x 3 NBR 70
8-20HF-D21	1	24002004007	Seal 20x 40 x 7 with dust lip
8-20HF-D22	1	25010200	Plug MB 800-080
8-20HF-D23	1	25110800	Plug 7/16"
8-20HF-D24	1	26240200	Protective sleeve gear shift rack 8-20HF
8-20HF-D25	1	32160831	Compression spring 1.6 x 8 x 31.5 ID = 6.4
8-20HF-D26	1	34190601	Primary shaft 8 - 20 HF
8-20HF-D27	1	34200500	Gear shaft secondary 8-20 HF
8-20HF-D28	1	35210100	Gear wheel 1:st secondary 6 - 16 / 8 - 20
8-20HF-D29	1	35220100	Gear wheel 2:nd secondary 6 - 16 / 8 - 20
8-20HF-D30	1	35230100	Gear wheel 3:rd secondary 6 - 16 / 8 - 20
8-20HF-D31	1	35240100	Gear wheel 4:th secondary 6 - 16 / 8 - 20
8-20HF-D32	1	35360100	Ring gear 6-16 / 8-20
8-20HF-D33	1	35370100	Intermediate gear armrot.
8-20HF-D34	1	35370101	Intermediate gear armrot.
8-20HF-D35	1	56030400	Gearbox housing 8 - 20 HF
8-20HF-D36	1	57230200	Index housing 6 - 16
8-20HF-D37	1	57510101	Slip clutch 8 - 20 HF
8-20HF-D38	1	58450200	Cover slip clutch 8-20
8-20HF-D39	1	59330400	Shift rod 8 - 20 HF
8-20HF-D40	1	59440100	Index pinion 6 - 12 / 16
8-20HF-D41	1	59550300	Index knob 8 - 20 HF

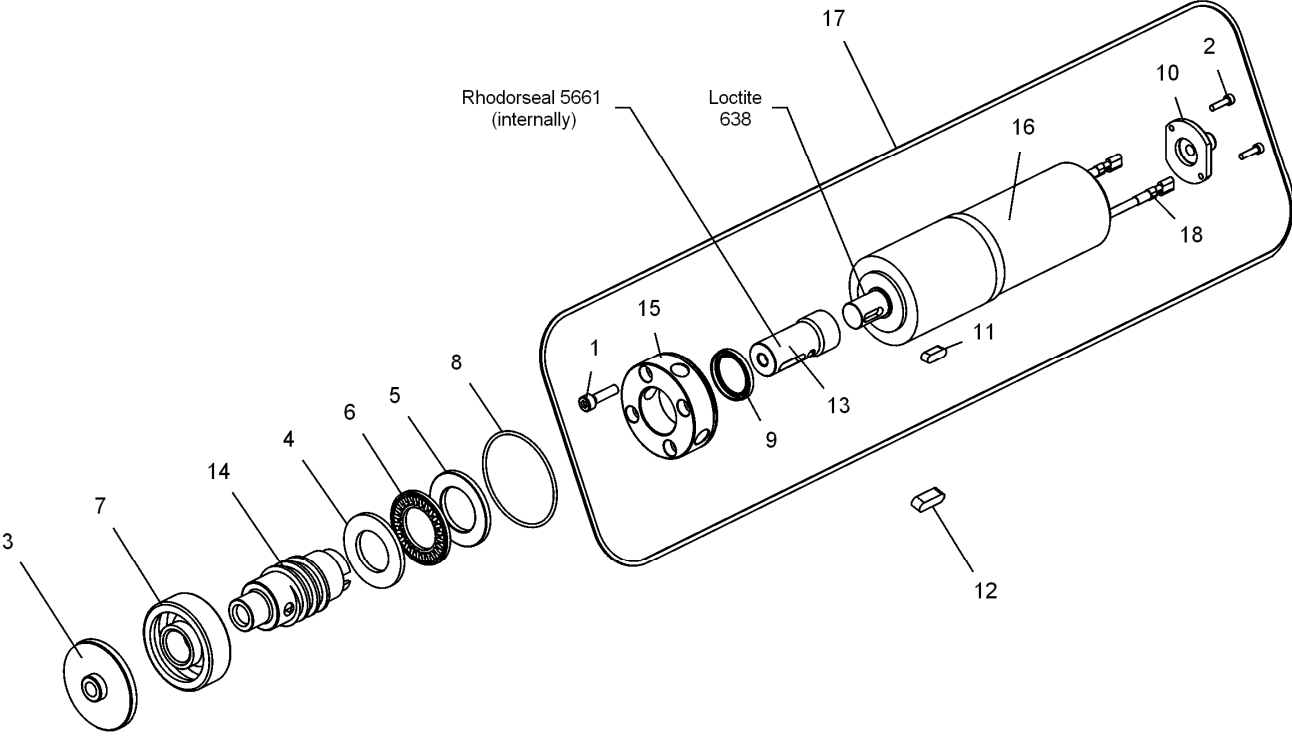
Travel pinion assembly



Travel pinion assembly

Pos.	Qty	Part number	Description
8-20HF-E1	1	17306350	Shear Pin 6 x 35
8-20HF-E2	1	20756004	Ball bearing 6004-2RSH/C3
8-20HF-E3	1	20706201	Ball bearing 6201-2Z/C3
8-20HF-E4	1	21203800	Circlip 38 mm DIN 471
8-20HF-E5	1	22140200	Spacer travel pinion
8-20HF-E6	1	23115053	O-ring 53 x 1.5 NBR 70
8-20HF-E7	1	24002503507	Seal 25 x 35 x 7 with dust lip
8-20HF-E8	1	34160200	Pinion travel Pentrunder
8-20HF-E9	1	34160201	Pinion travel cpl
8-20HF-E10	1	35430300	Worm Gear for shear pin D=6
8-20HF-E11	1	58250200	Cover travel Pentrunder

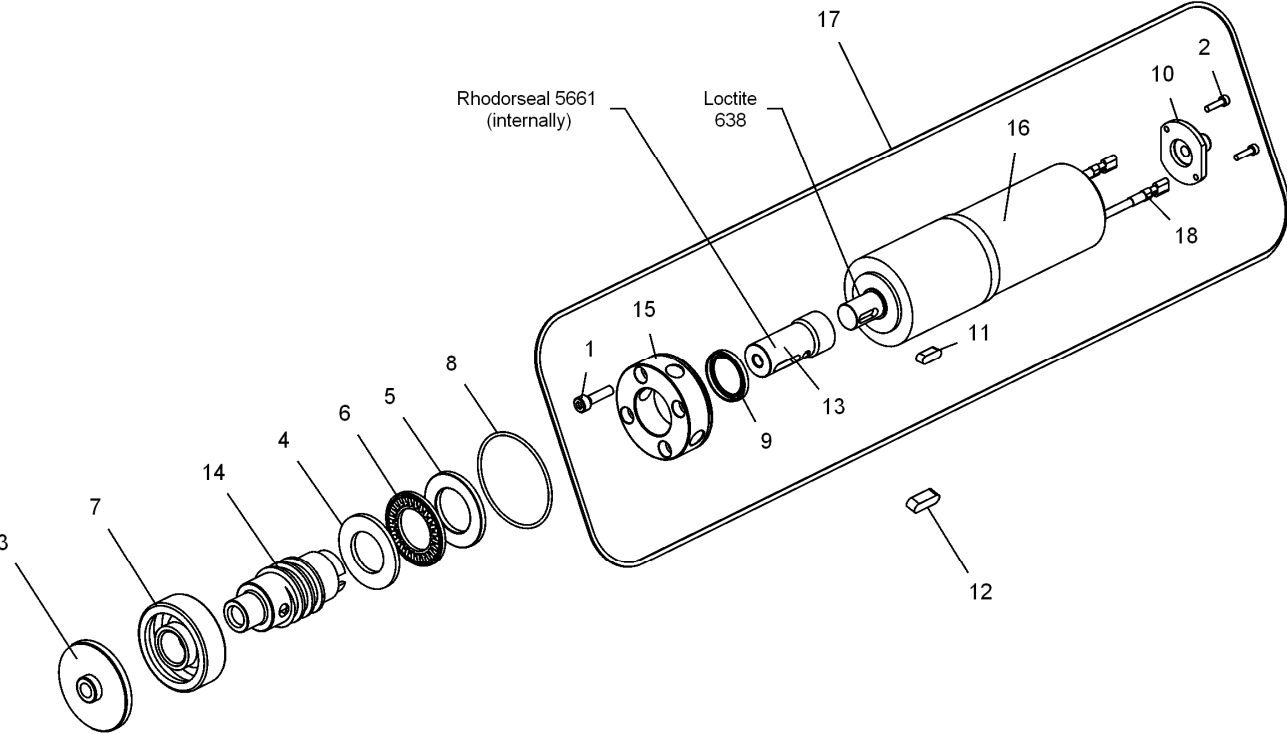
24 V DC arm motor



24 V DC arm motor.

Pos.	Qty	Part number	Description
8-20HF-F1	4	121004016-12.9FZ	Allen screw DIN 912 M4 x 16 12.9Z
8-20HF-F2	2	1215016006	Screw posidrive MFX 4.8 1.6x6 H Z
8-20HF-F3	1	16290100	Washer, for bearing extraction
8-20HF-F4	1	200181104	Thrust Washer WS 81104
8-20HF-F5	1	200281104	Thrust Washer GS 81104
8-20HF-F6	1	20082035	Axial needle roller bearing AXK 2035
8-20HF-F7	1	20877302	Angular cont. ball bearing 7302 BEP
8-20HF-F8	1	23116042	O-ring 42 x 1.6 NBR 70
8-20HF-F9	1	23901802403	Radial seal 18 x 24 x 3
8-20HF-F10	1	26240300	Protection sleeve 24V DC-motor
8-20HF-F11	1	29110414	Key 4 x 4 x 14
8-20HF-F12	1	29110516	Key 5 x 5 x 16
8-20HF-F13	1	34430100	Adapter axle 24V DC-motor
8-20HF-F14	1	35500100	Worm screw
8-20HF-F15	1	58359000	Flange DC-Motor
8-20HF-F16	1	63104600	Arm feed motor 24V 46:1
8-20HF-F17	1	63104601	Arm feed motor 24V 46:1 cpl
8-20HF-F18	1	64017801	Cables soldered on Arm feed motor

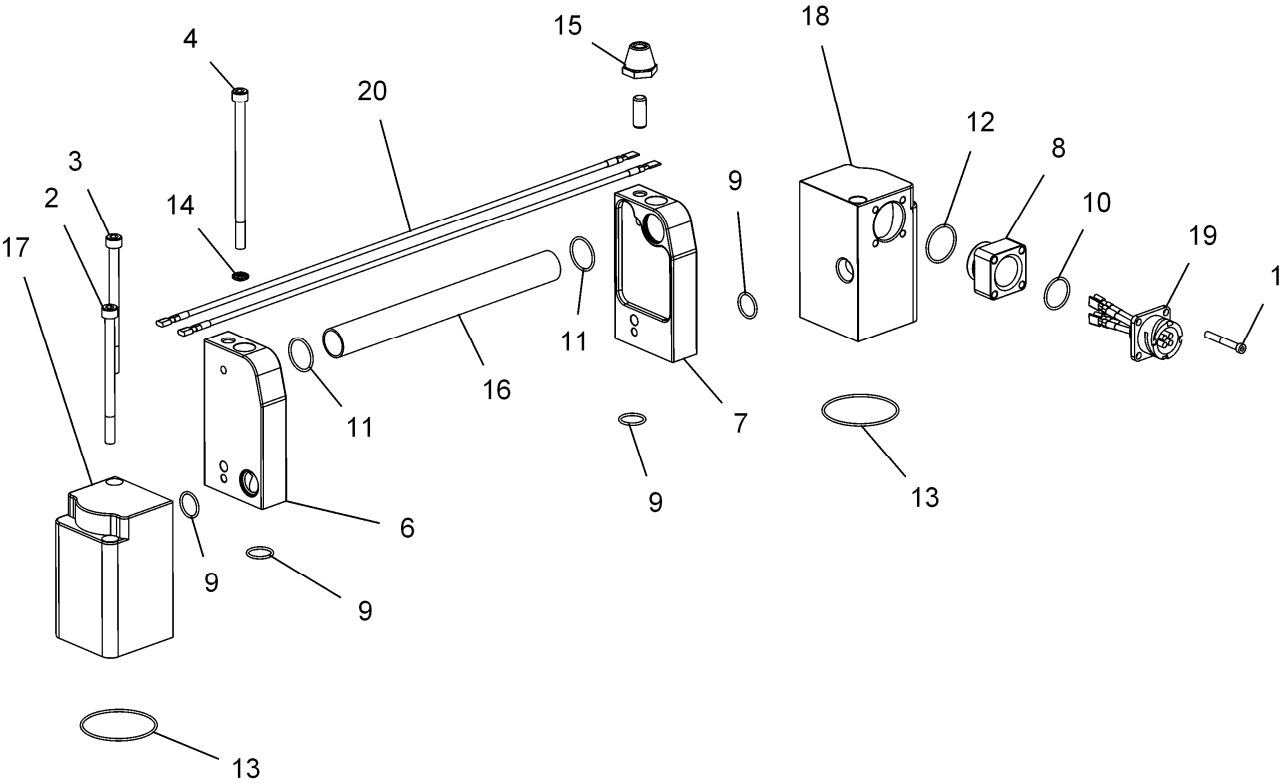
24 V DC travel motor



24 V DC travel motor

Pos.	Qty	Part number	Description
8-20HF-G1	4	121004016-12.9FZ	Allen screw DIN 912 M4 x 16 12.9Z
8-20HF-G2	2	1215016006	Screw posidrive MFX 4.8 1.6x6 H Z
8-20HF-G3	1	16290100	Washer, for bearing extraction
8-20HF-G4	1	200181104	Thrust Washer WS 81104
8-20HF-G5	1	200281104	Thrust Washer GS 81104
8-20HF-G6	1	20082035	Axial needle roller bearing AXK 2035
8-20HF-G7	1	20877302	Angular cont. ball bearing 7302 BEP
8-20HF-G8	1	23116042	O-ring 42 x 1.6 NBR 70
8-20HF-G9	1	23901802403	Radial seal 18 x 24 x 3
8-20HF-G10	1	26240300	Protection sleeve 24V DC-motor
8-20HF-G11	1	29110414	Key 4 x 4 x 14
8-20HF-G12	1	29110516	Key 5 x 5 x 16
8-20HF-G13	1	34430100	Adapter axle 24V DC-motor
8-20HF-G14	1	35500100	Worm screw
8-20HF-G15	1	58359000	Flange DC-Motor
8-20HF-G16	1	63102000	Travel feed motor 24V 20:1
8-20HF-G17	1	63102001	Travel feed motor 24V 20:1 cpl
8-20HF-G18	1	64017901	Cables soldered on Travel motor

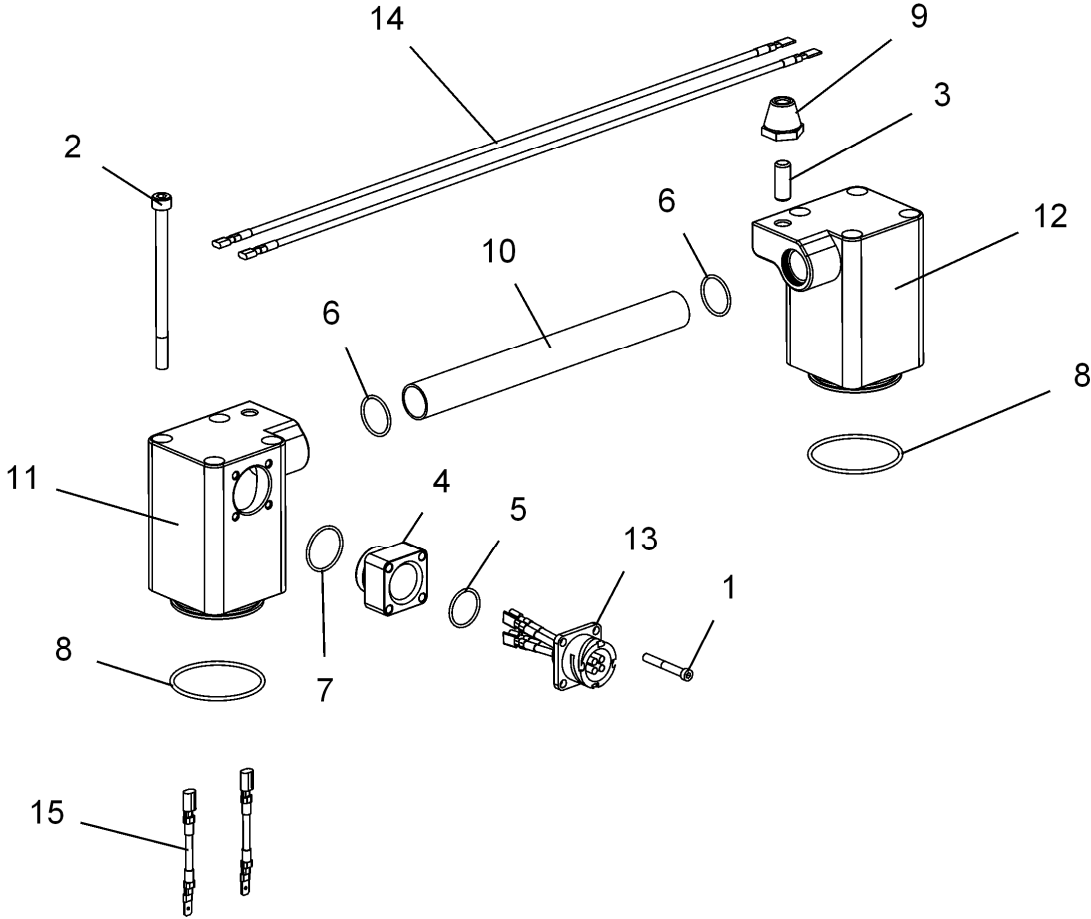
DC-motor covers assembly



DC-motor covers assembly

Pos.	Qty	Part number	Description
8-20HF-H1	4	121004030-8.8A2	Allen screw DIN912 M4 x 30 8.8A2
8-20HF-H2	2	121006085-8.8A2	Allen screw DIN912 M6 x 85 8.8A2
8-20HF-H3	2	121006100-8.8A2	Allen screw DIN912 M6 x 100 8.8A2
8-20HF-H4	2	121006100-12.9Fz	Allen screw DIN912 M6 x 100 12.9Fz
8-20HF-H5	2	14080700	Stud M8 x 20 10.9
8-20HF-H6	1	18020100	Manifold Left 8-20 HF
8-20HF-H7	1	18020200	Manifold Right 8-20 HF
8-20HF-H8	1	22410100	Spacer Cannon connector 24V
8-20HF-H9	4	23115014	O-ring 14 x 1.5 NBR 70
8-20HF-H10	1	23115018	O-ring 18 x 1.5 NBR 70
8-20HF-H11	2	23115019	O-ring 19 x 1.5 NBR 70
8-20HF-H12	1	23115022	O-ring 22 x 1.5 NBR 70
8-20HF-H13	1	23115045	O-ring 45 x 1.5 NBR 70
8-20HF-H14	2	23206710	Dowty washer 6.7 x 10 x 1 M6
8-20HF-H15	2	40070100	Guide cone M8
8-20HF-H16	1	50190100	Tube, Handle 6 – 16
8-20HF-H17	1	58281200	Cover DC-Motor LH 8-20
8-20HF-H18	1	58281400	Cover DC-Motor RH 8-20
8-20HF-H19	1	64015101	Connector w cable on sawhead 24V HF
8-20HF-H20	1	64017701	Cables between feed motors 8-20HF

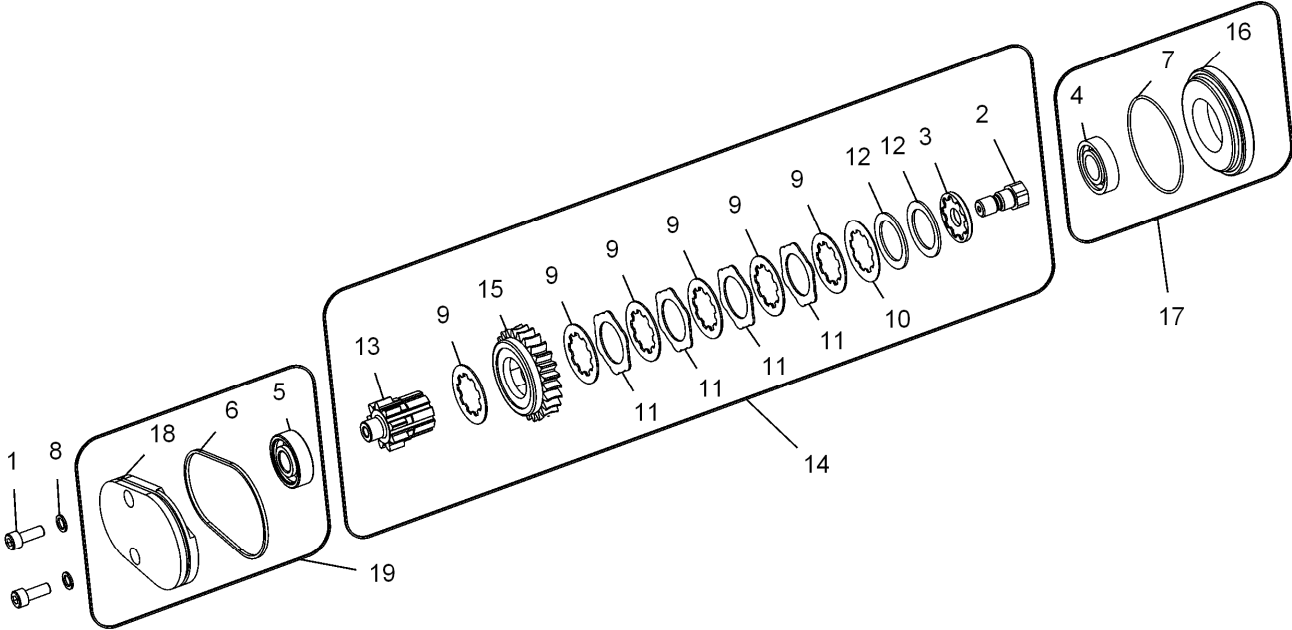
DC-motor covers assembly (NEW)



DC-motor covers assembly (NEW)

Pos.	Qty	Part number	Description
8-20HF-H2-1	4	121004030-8.8A2	Allen screw DIN912 M4 x 30 8.8A2
8-20HF-H2-2	8	121006090-8.8A2	Allen screw DIN912 M6 x 90 8.8A2
8-20HF-H2-3	2	14080700	Stud M8 x 20 10.9
8-20HF-H2-4	1	22410100	Spacer Cannon connector 24V
8-20HF-H2-5	1	23115018	O-ring 18 x 1.5 NBR 70
8-20HF-H2-6	2	23115019	O-ring 19 x 1.5 NBR 70
8-20HF-H2-7	1	23115022	O-ring 22 x 1.5 NBR 70
8-20HF-H2-8	2	23120044	O-ring 44 x 2 NBR 70
8-20HF-H2-9	2	40070100	Guide cone M8
8-20HF-H2-10	1	50190100	Tube, Handle 6 - 16
8-20HF-H2-11	1	58281800	Housing DC-motor left 8-20HF
8-20HF-H2-12	1	58281900	Housing DC-motor right 8-20HF
8-20HF-H2-13	1	64015101	Connector w cable on sawhead 24V HF
8-20HF-H2-14	2	64017601	Cables between feed motors 6-12HF
8-20HF-H2-15	1	64018101	Extension cables feedmotors 8-20HF + Lean

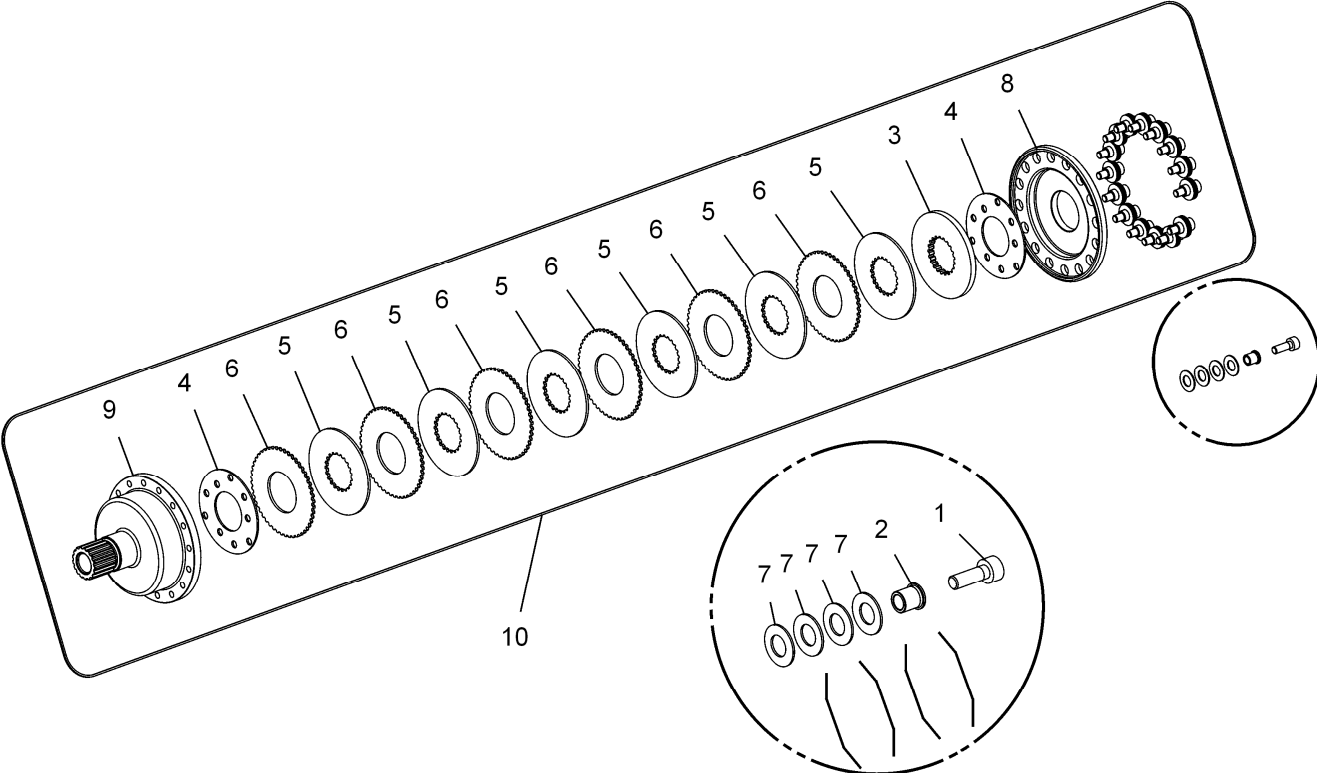
Arm slip clutch



Arm slip clutch

Pos.	Qty	Part number	Description
8-20HF-I1	2	121006016-12.9FZ	Allen screw DIN912 M6x16 12.9Z
8-20HF-I2	1	14100300	Screw Slip-Clutch
8-20HF-I3	1	16030200	Washer slip clutch
8-20HF-I4	1	207016002	Ball bearing 16002
8-20HF-I5	1	20706201	Ball bearing 6201-2Z/C3
8-20HF-I6	1	23120070	O-ring 70 x 2 NBR 70
8-20HF-I7	1	23115053	O-ring 53 x 1.5 NBR70
8-20HF-I8	2	23206710	Dowty washer 6.7 x 10 x 1
8-20HF-I9	6	27030100	Plate, slip-clutch inner teeth
			Plate, slip-clutch inner teeth
8-20HF-I10	1	27030100-XX	T=0.6,0.7,0.8,0.9,1.0,1.1,1.2
8-20HF-I11	4	27040100	Plate, slip-clutch outer teeth
8-20HF-I12	2	32243415	Bellev. wash. 34x24x1.5 slip clutch
8-20HF-I13	1	34160500	Pinion Slip-Clutch 6-16/8-20
8-20HF-I14	1	34160501	Slip clutch 6-16/8-20 cpl
8-20HF-I15	1	35430600	Worm gear friction type clutch
8-20HF-I16	1	58250100	Cover arm-rotation
8-20HF-I17	1	58250101	Cover arm rotation Pentrunder cpl
8-20HF-I18	1	58290100	Cover oval 6 -16
8-20HF-I19	1	58290101	Cover oval 6-16 / 8-20

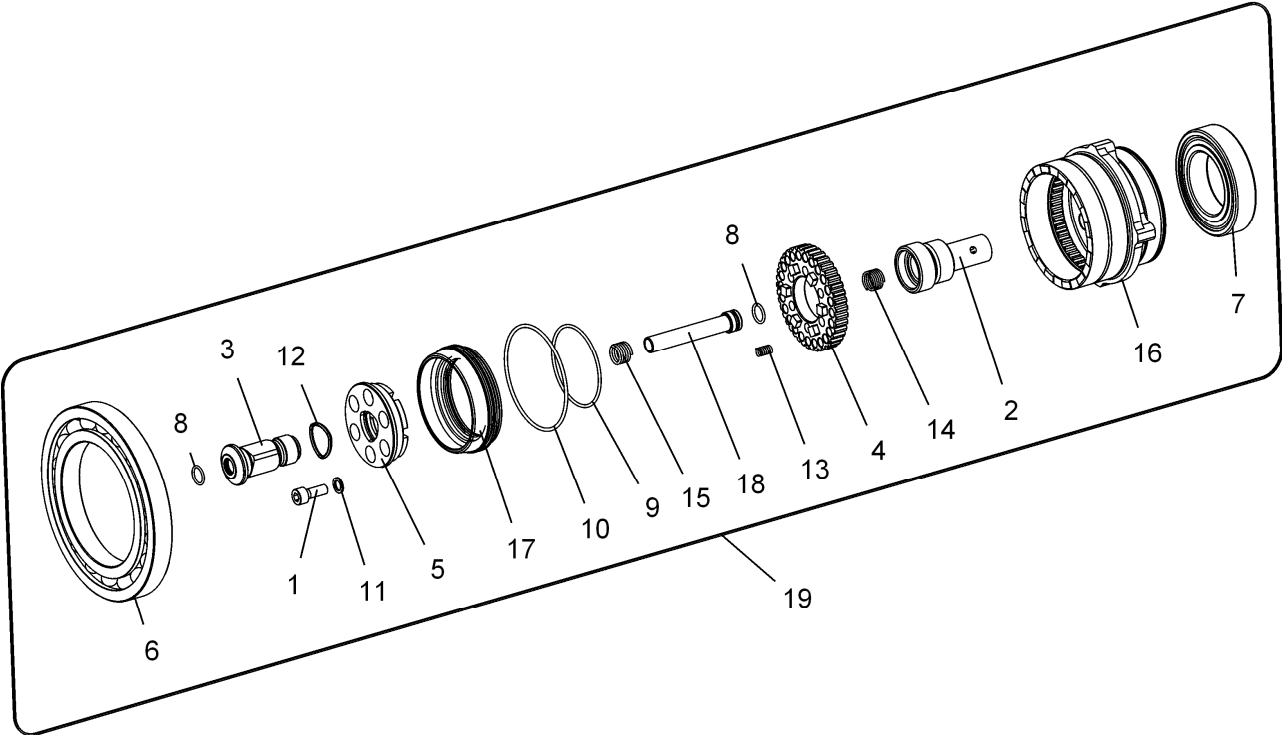
Slip clutch



Slip clutch

Pos.	Qty	Part number	Description
8-20HF-J1	16	121204012-10.9	Allen Screw DIN7984 M4x12 10.9
8-20HF-J2	16	22170100	Spacer, slip clutch HF
8-20HF-J3	1	27030400XXX	Clutch disc int. HF T=3.6, 3.7, 3.8
8-20HF-J4	2	27050200	Slip Washer Copper HF T=1
8-20HF-J5	6	27030700	Clutch disc int. HF T=1.5
8-20HF-J6	6	27040200	Clutch disc, ext. teeth HF
8-20HF-J7	64	32126206	Belleville washer 12x6.2x0.6
8-20HF-J8	1	46480200	Pressure plate slip clutch 8-20HF
8-20HF-J9	1	57510100	Housing slip clutch 8-20HF
8-20HF-J10	1	57510101	Slip clutch 8-20HF

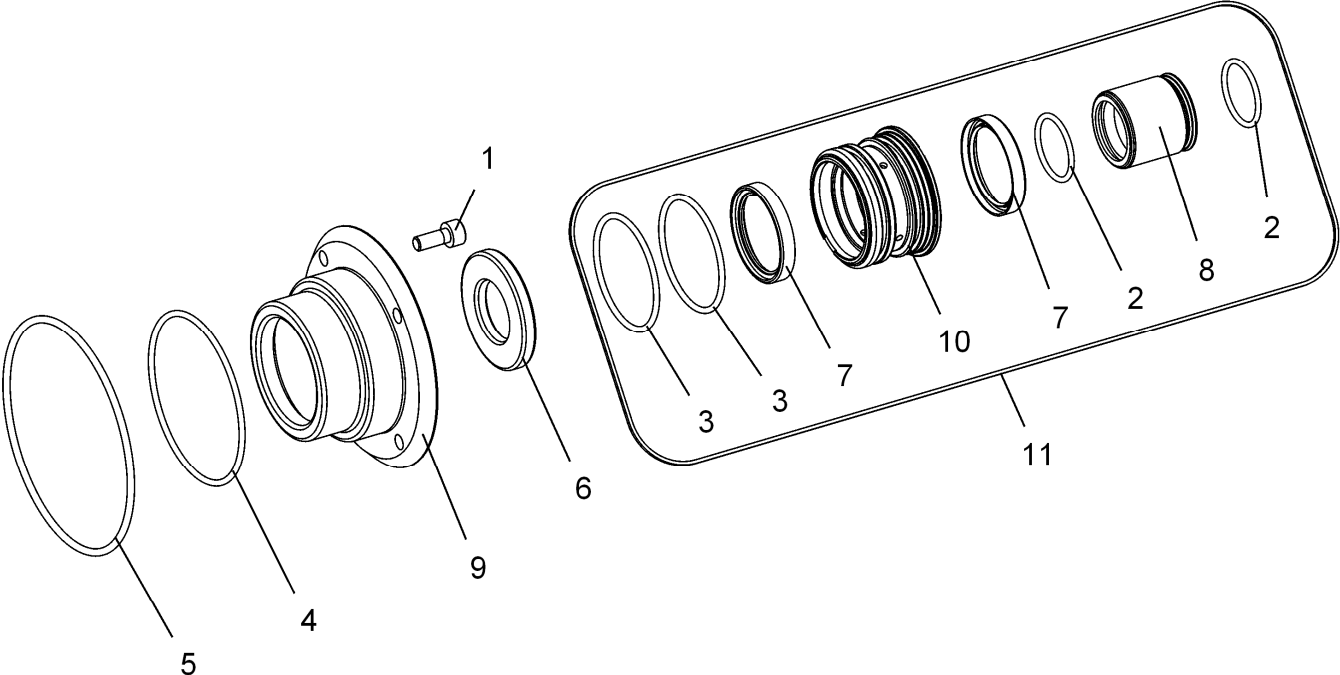
Spindle



Spindle

Pos.	Qty	Part number	Description
8-20HF-K1	6	121006016-12.9FZ	Allen screw DIN912 M6x16 12.9Z
8-20HF-K2	1	14010100	Screw quick disconnect coupling
8-20HF-K3	1	14010200	Pull stud 6-10/12/16, 8-20
8-20HF-K4	1	16180200	Thread washer with dogs
8-20HF-K5	1	16230200	Washer, int. triangular with dogs
8-20HF-K6	1	207016016	Ball Bearing 16016 / C3
8-20HF-K7	1	20706008	Ball Bearing 6008/C3
8-20HF-K8	2	23115010	O-ring 10 x 1.5 NBR 70
8-20HF-K9	1	23120050	O-ring 50 x 2 NBR 70
8-20HF-K10	1	23120064	O-ring 64 x 2 NBR 70
8-20HF-K11	6	23206710	Dowty washer 6.7 x 10 x 1
8-20HF-K12	1	23120020	O-ring 20 x 2
8-20HF-K13	6	32090515	Compression spring 0.9 x 5.4 x 15
8-20HF-K14	1	32150915	Spring 1.5 x 9 x 15
8-20HF-K15	1	32121015	Spring 1.2 x 10 x 15
8-20HF-K16	1	34280300	Spindel 8 - 20 / 6 - 16
8-20HF-K17	1	40040100	Centering cone
8-20HF-K18	1	50070100	Tube water feed
8-20HF-K19	1	34280401	Spindle 8-20 cpl

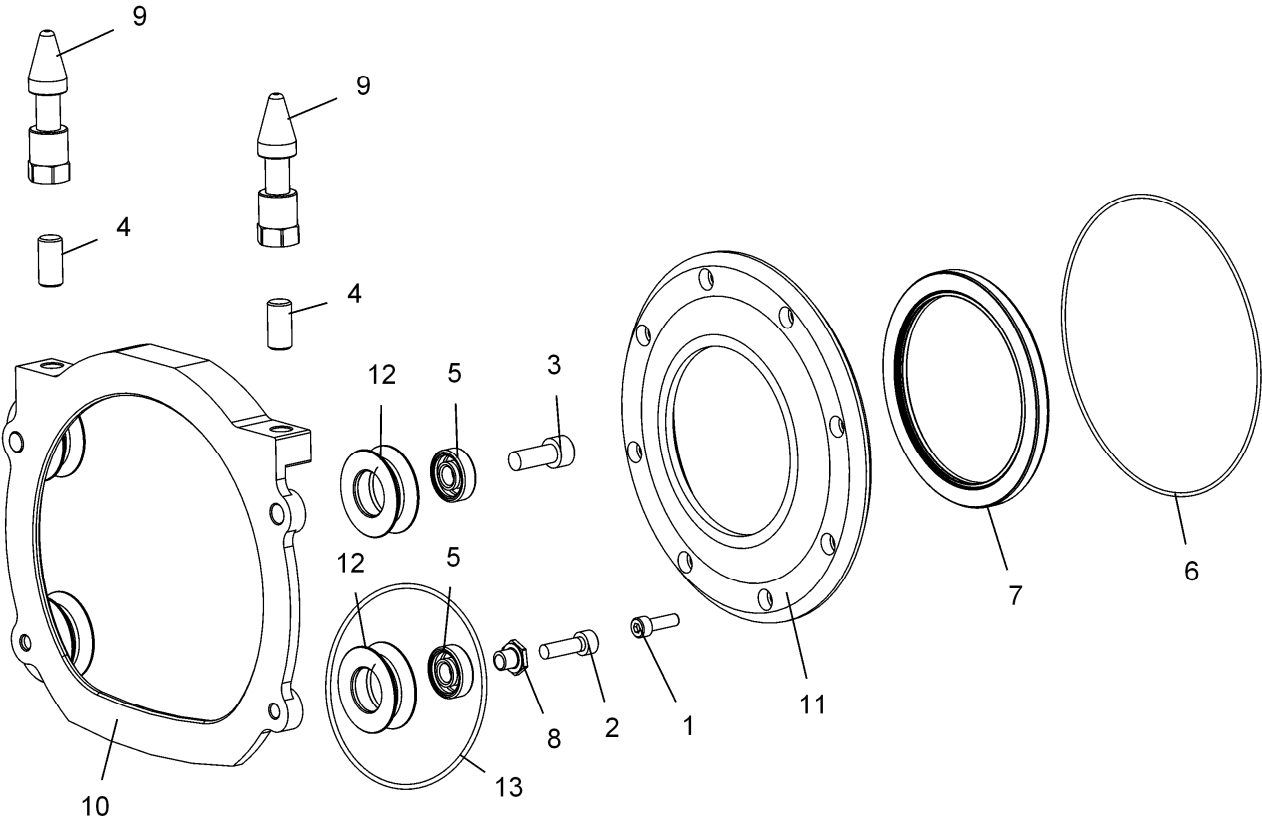
Water seal assembly



Water seal assembly

Pos.	Qty	Part number	Description
8-20HF-L1	4	121004010-12.9FZ	Allen screw DIN912 M4x10 12.9FZ
8-20HF-L2	2	23115017	O-ring 17 x 1.5 NBR 70
8-20HF-L3	2	23120028	O-ring 28 x 2 NBR 70
8-20HF-L4	1	23120048	O-ring 48 x 2 NBR 70
8-20HF-L5	1	23125064	O-ring 64 x 2.5 NBR 70
8-20HF-L6	1	23901703404G	Seal 17 x 34 x 4 rubber
8-20HF-L7	2	24002202804	Seal, water 22 x 28 x 4
8-20HF-L8	1	26250200	Wear-sleeve Watersealing Pentrunder
8-20HF-L9	1	34040400	Swivel housing Stainless Steel
8-20HF-L10	1	57210100	Waterseal Housing Pentrunder
8-20HF-L11	1	57210101	Water seal housing Pentrunder cpl

Blade guard rotary flange



Blade guard rotary flange

Pos.	Qty	Part number	Description
8-20HF-M1	8	121005016-12.9FZ	Allen screw DIN912 M5x16 12.9Z
8-20HF-M2	2	121006018-12.9FZ	Allen screw DIN912 M6x18 12.9FZ
8-20HF-M3	2	121008016-12.9FZ	Allen screw DIN912 M8x16 12.9FZ
8-20HF-M4	2	14080800	Stud M10 x 20
8-20HF-M5	4	20750608	Ball bearing 608-2RS1
8-20HF-M6	1	23120122	O-ring 122 x 2 NBR 70
8-20HF-M7	1	24008010007	Radial seal 80x100x7
8-20HF-M8	2	26080100	Eccentric bushing 8 - 20
8-20HF-M9	2	40070300	Guide cone int. M10
8-20HF-M10	1	42020600	Blade guard mounting flange 8 - 20
8-20HF-M11	1	42070100	Flange Blade guard holder 8 - 20
8-20HF-M12	4	45010400	Roller blade guard holder
8-20HF-M13	1	45010401	Roller blade guard holder cpl