

### CEG-PDT1 Pivoting head

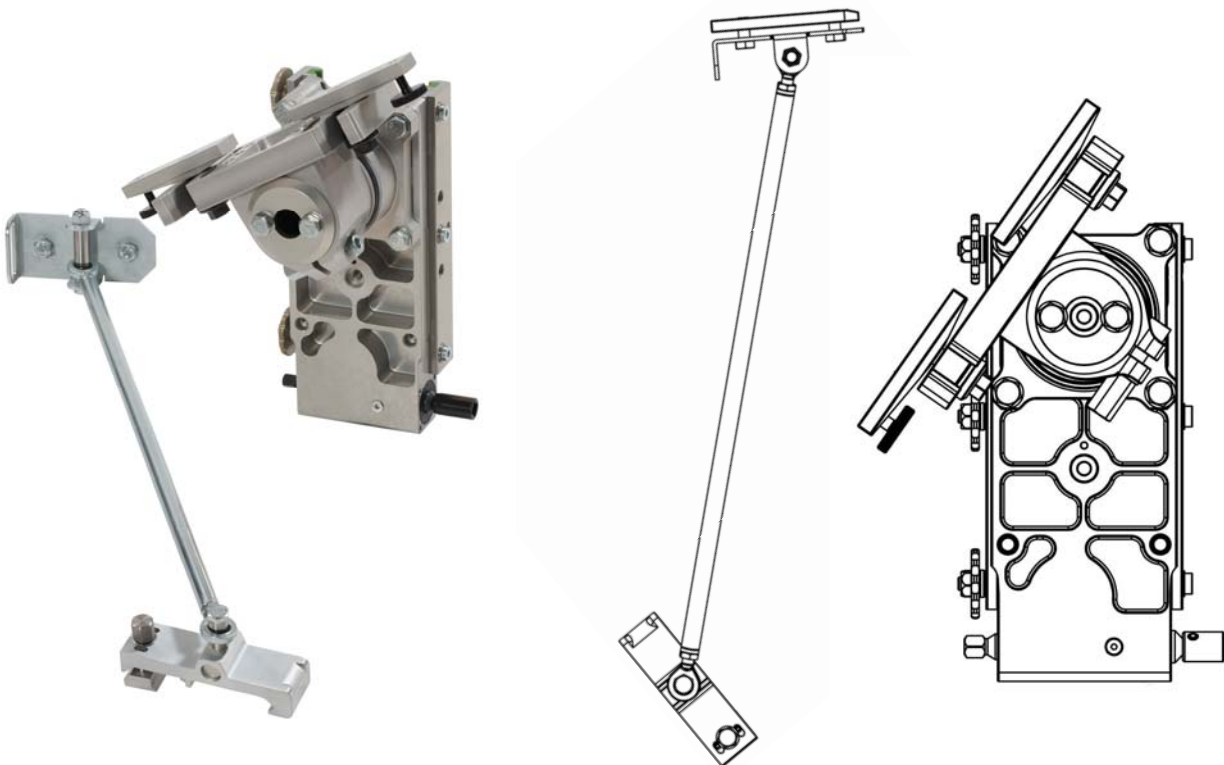
The CEG-PDT1 pivoting head is a useful accessory when to the Pentrunder MCCS Universal drill rig. It is built for heavy duty use and will be a problem solver in many cases.

The vertical track can be fixed in any angle and the rear support can be adjusted without steps for best possible flexibility. The CEG-PDT1 is very stable and will help in precision jobs where normal setup is difficult or impossible.

The pivoting head is built on a CEG-carriage with 1:25 feed rate and can be hand fed up or down the track for fine adjustment.

There are so many setups that it is impossible to say a max size of the core bit. It is more the setup and clearance which sets the limit than the stability of the CEG-PDT1.

For set up examples and measurements, please see the next pages.



*CEG-PDT1 pivoting head including rear support CEG-PDT1*

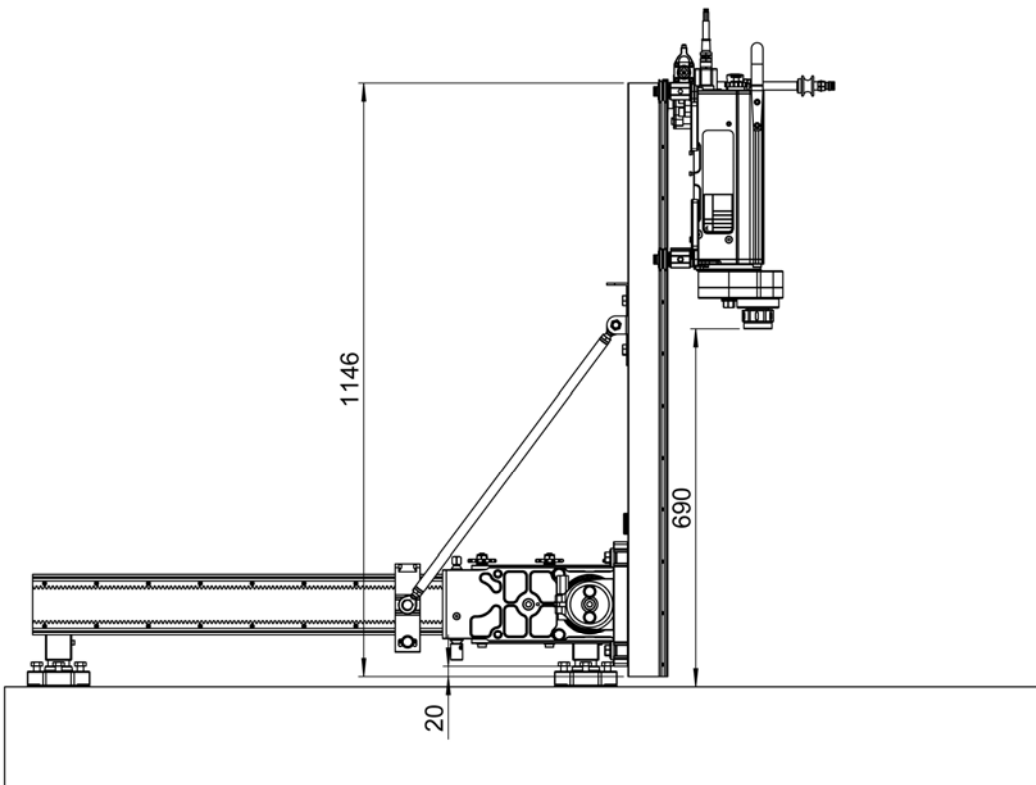
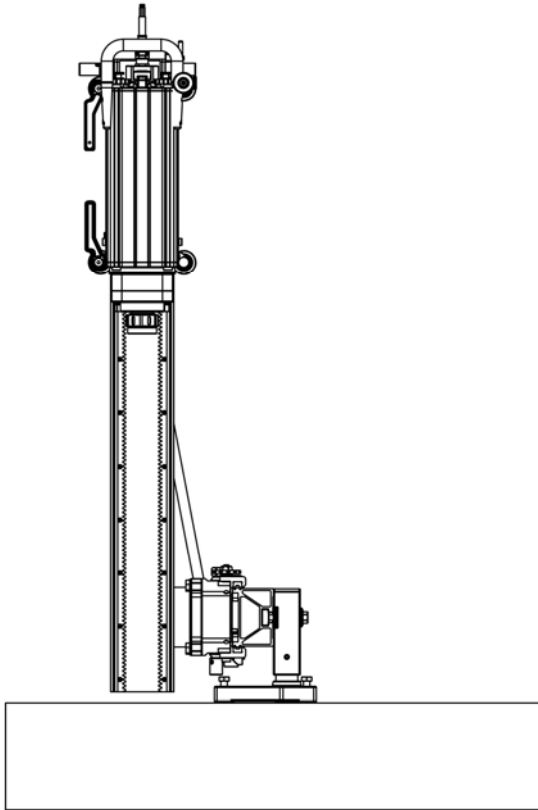
Part number	Description	Price in Euro
CEG-PDT1	Carriage CEG-PDT1 pivoting head for TS track Rear support included.	1610,00

Unit  
**Pentrunder MCCS – Modular Concrete Cutting System**

Date  
2015-01-07

Rev

File  
CEG-PDT1-pivoting head.doc

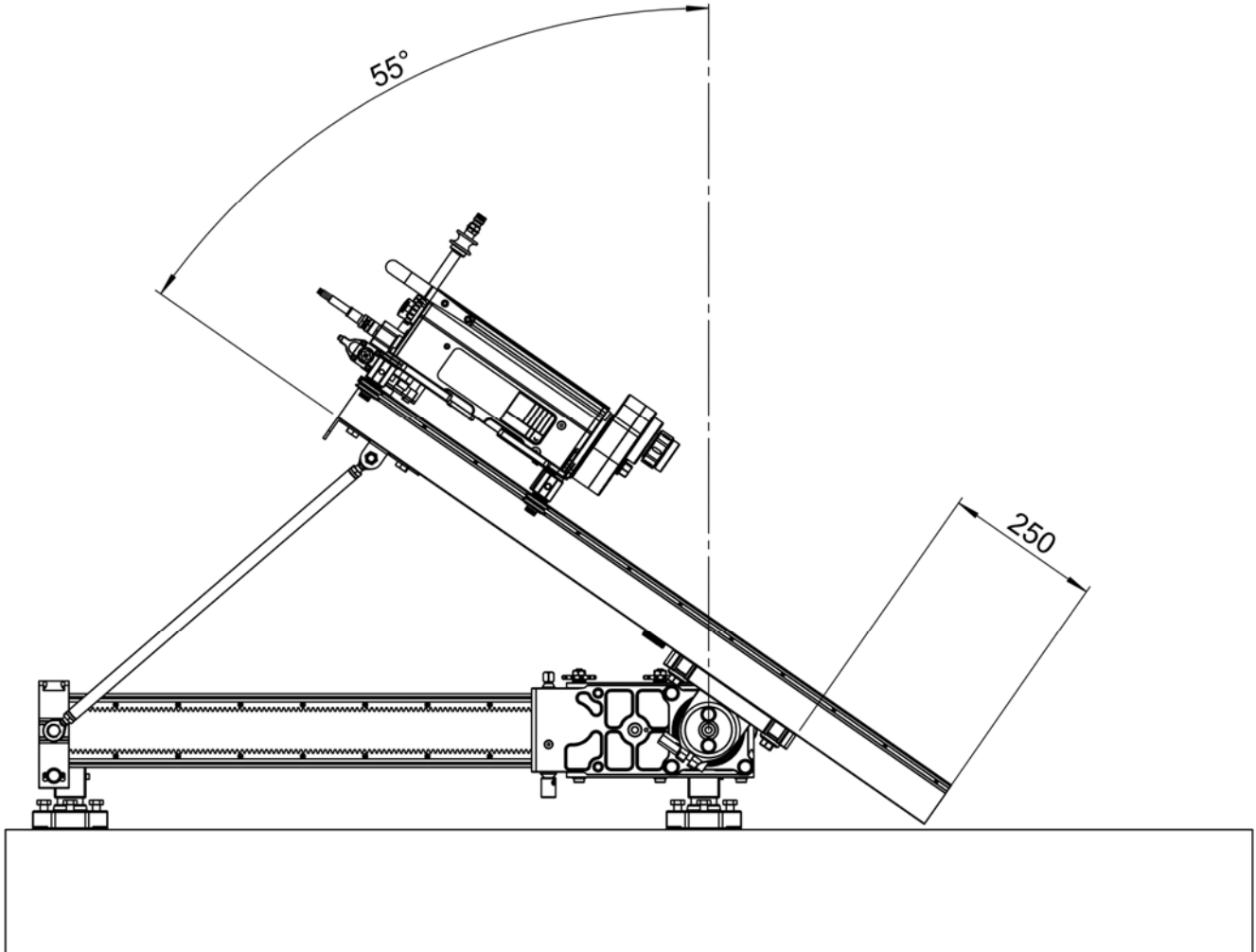


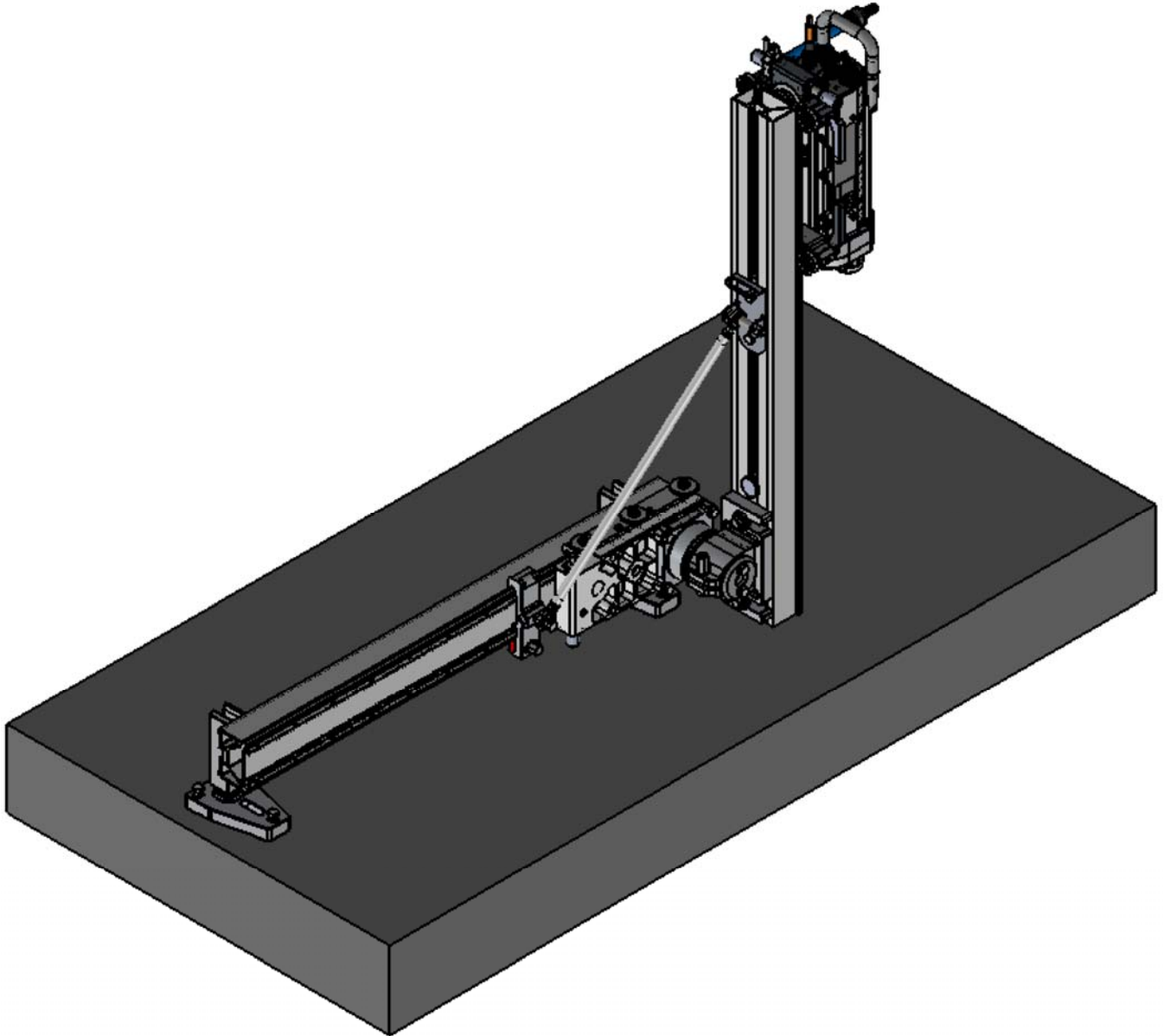
Unit  
**Pentrunder MCCS – Modular Concrete Cutting System**

Date  
2015-01-07

Rev

File  
CEG-PDT1-pivoting head.doc





Unit  
**Pentrunder MCCS – Modular Concrete Cutting System**

Date  
2015-01-07

Rev

File  
CEG-PDT1-pivoting head.doc



Unit  
**Pentrunder MCCS – Modular Concrete Cutting System**

Date  
2015-01-07

|Rev

File  
CEG-PDT1-pivoting head.doc



In this job, the customer needed to stitch drill a big number of holes at an angle and the CEG-PDT1 proved to be very valuable.